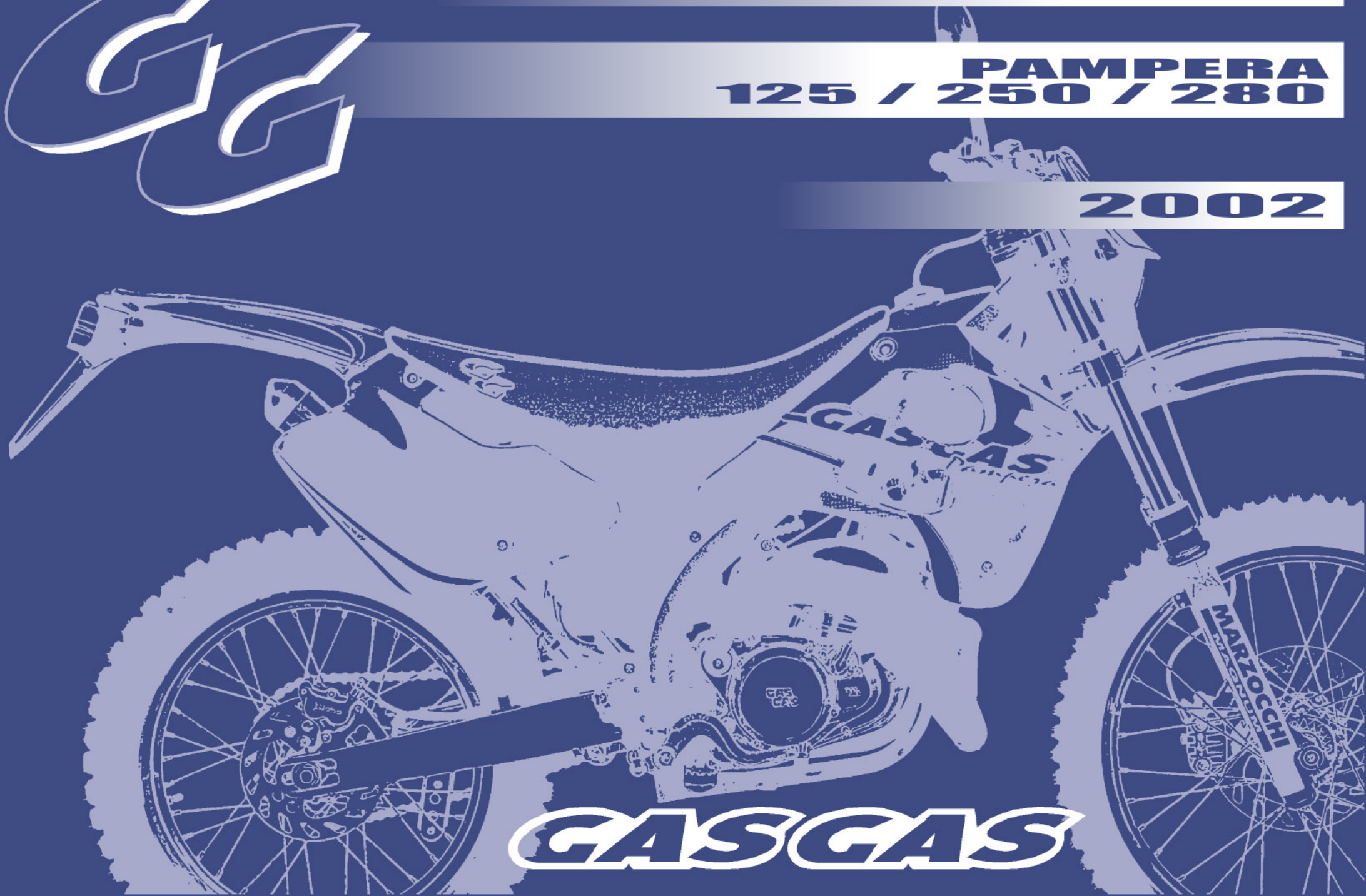




**DESPIECE / PART LIST**

**PAMPERA  
125 / 250 / 280**

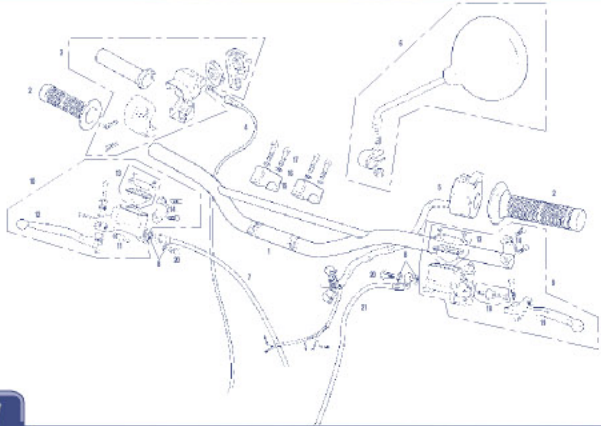
**2002**



**GAS GAS**

# CHASIS

Manillar / Handlebar **GASGAS** PAMPERA 2002



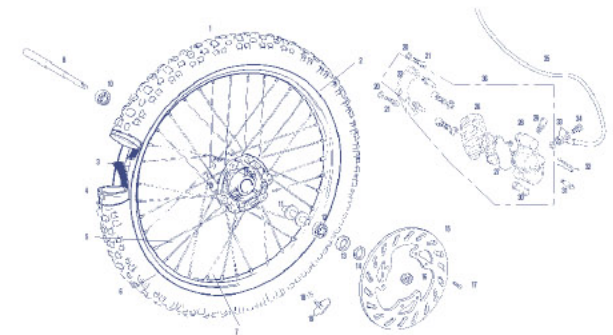
1

Suspension / Front fork **GASGAS** PAMPERA 2002



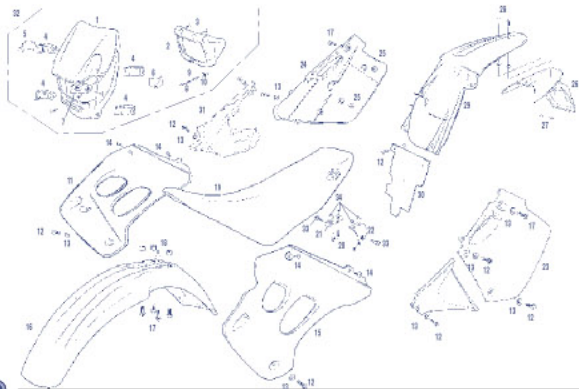
2

Rueda delantera / Front wheel **GASGAS** PAMPERA 2002



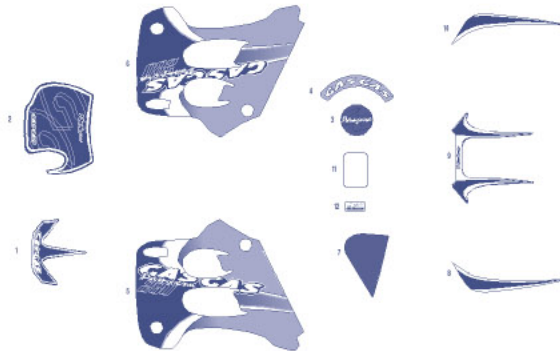
3

Plásticos / Plastics **GASGAS** PAMPERA 2002



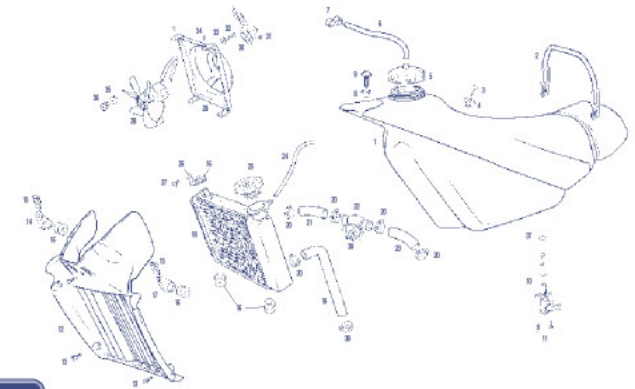
4

Adhesivos / Stickers **GASGAS** PAMPERA 2002



5

Depósito / Fuel tank **GASGAS** PAMPERA 2002

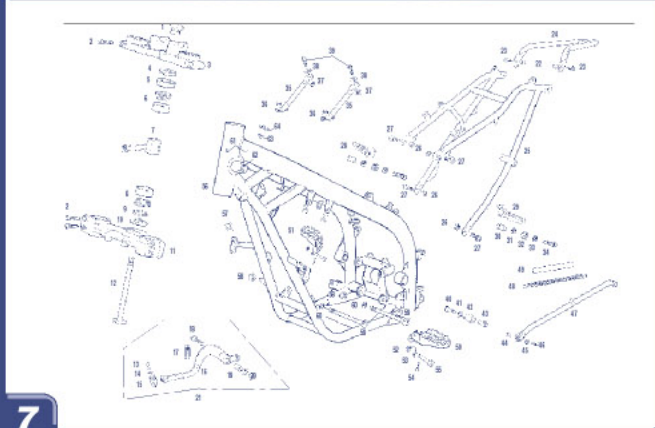


6

# DESPIECE

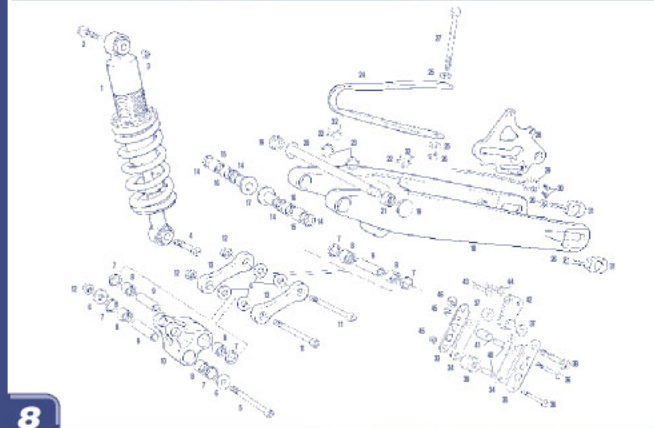
# FRAME

Chasis / Frame **GAS GAS** PAMPERA 2002



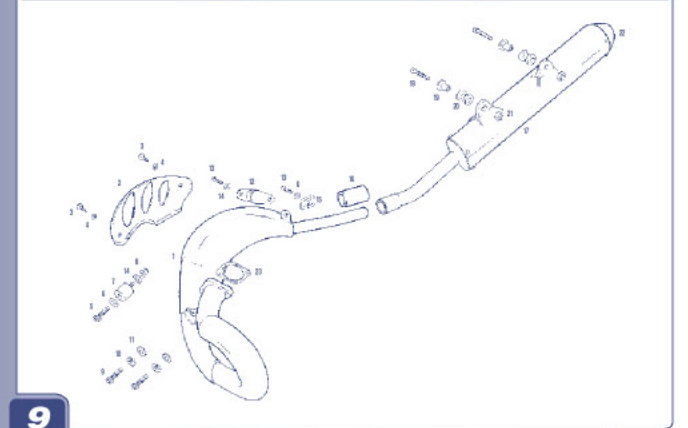
7

Basculante / Swingarm **GAS GAS** PAMPERA 2002



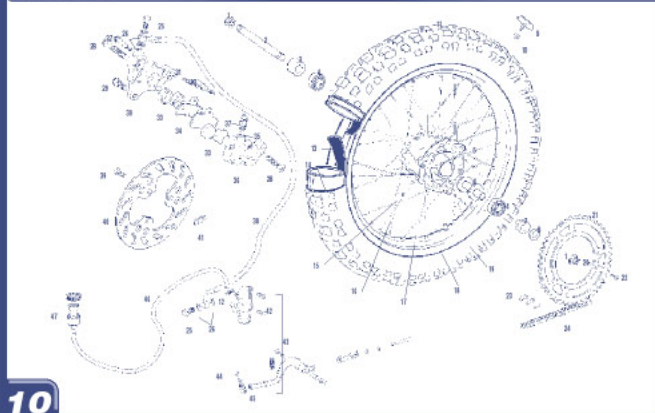
8

Escape / Exhaust **GAS GAS** PAMPERA 2002



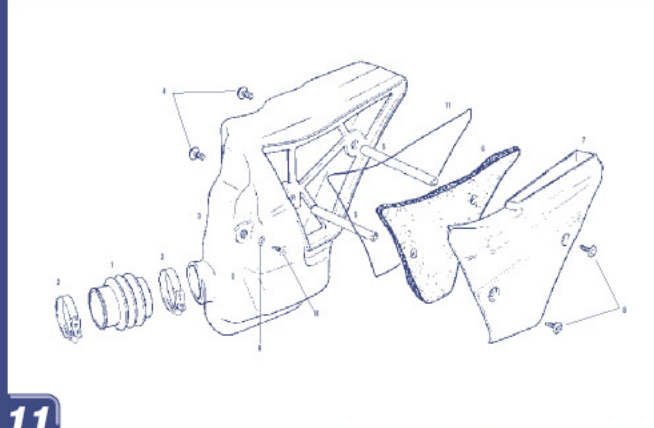
9

Rueda trasera / Rear wheel **GAS GAS** PAMPERA 2002



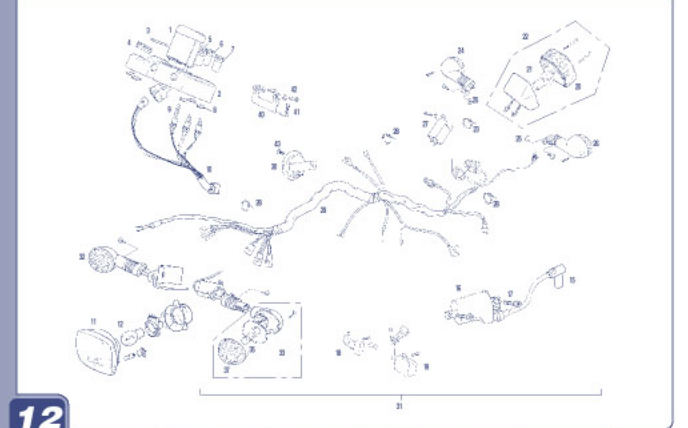
10

Caja filtro / Filter box **GAS GAS** PAMPERA 2002

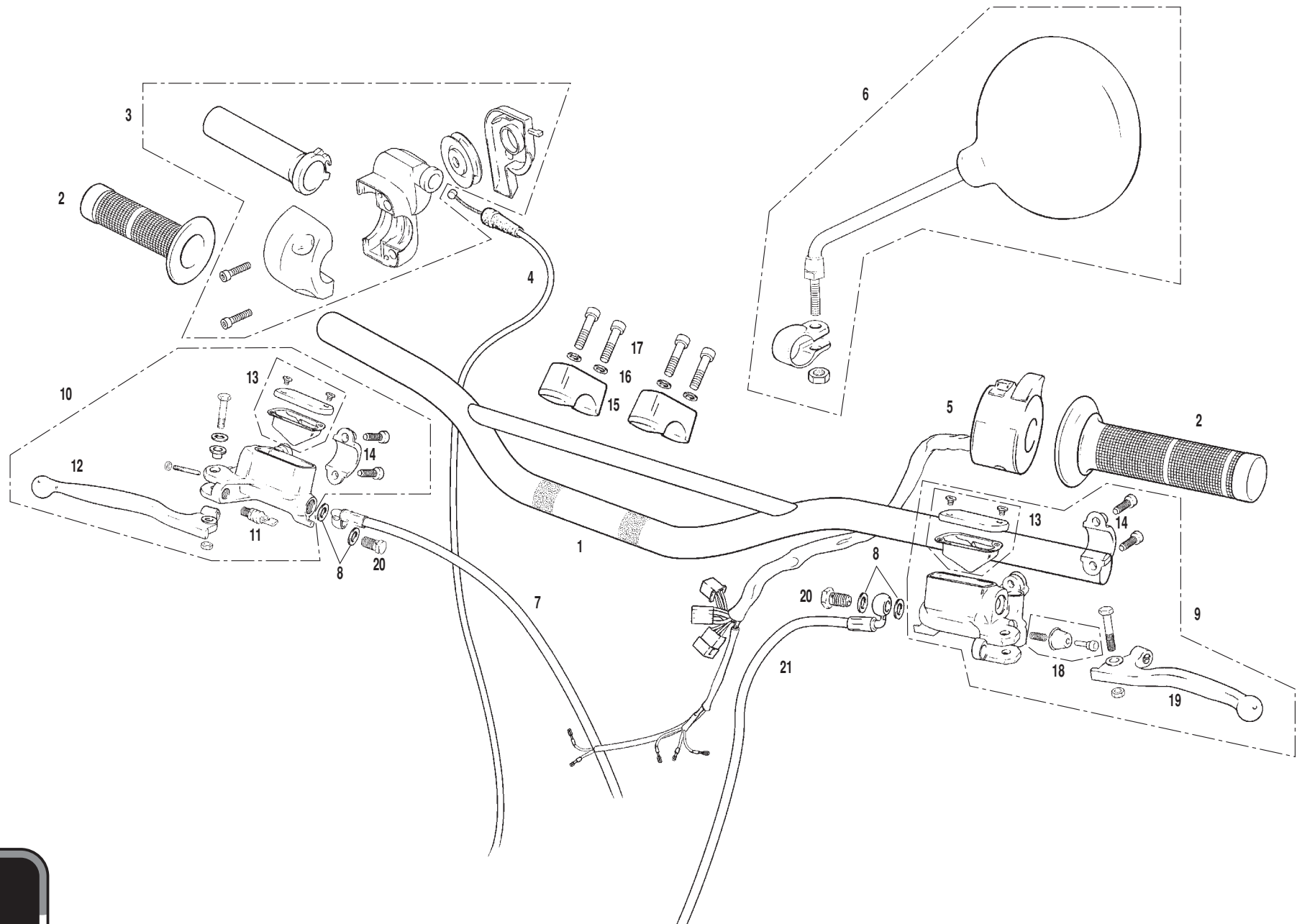


11

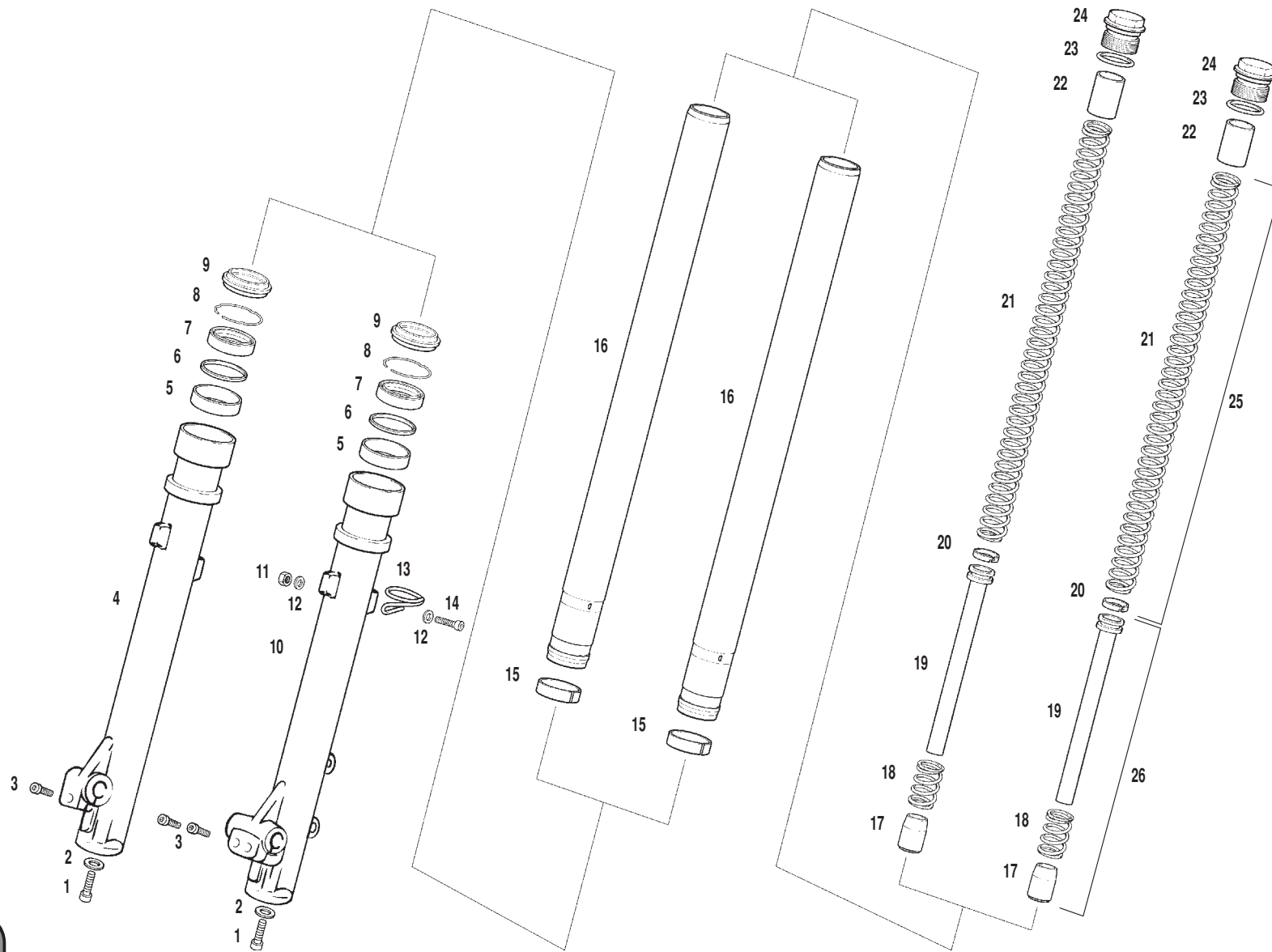
Eléctrico / Electric **GAS GAS** PAMPERA 2002



12



Nº	DESCRIPCION / DESCRIPTION	125 / 250 / 280 c.c.	Cant.
1	MANILLAR ENDUPAMP / ENDUPAMP HANDLEBAR	BEP250224001	1
2	JUEGO EMPUÑADURAS EC250-2002 / HANDLE BAR GRIP (PAIR)	BE250236002	1
3	PUÑO MANDO GAS 1800-03 / TWIST GRIP	E100001	1
4	CABLE DE GAS 99 / CABLE THROTTLE	BT27924008	1
5	CONMUTADOR LUZ TT-97 / LIGHT SWITCH	BE25734001	1
6	ESPEJO RETROVISOR / REAR-VIEW MIRROR	BS25710095	2
7	LATIGUILLO FRENO DELANTERO EC50 / FRONT BRAKE HOSE	BIE500122004	1
8	ARANDELA LATIGUILLO 10X14X1 / HOSE WASHER 10X4X1	BE25622007	4
9	CTO. EMBRAGUE EP250-2002 / CLUTCH SET	BEP250222005	1
10	CTO. FRENO DELANTERO EP250-2002 / FRONT BRAKE SET	BEP250222108	1
11	INTERRUPTOR STOP BOMBA NISSIN / NISSIN PUMP STOP SWITCH	L300066	1
12	MANETA FRENO DELANTERO / FRONT BRAKE LEVER	BS25722045	1
13	KIT TAPA BOMBA FRENO / BRAKE PUMP COVER KIT	R346000	2
14	BRIDA / CLAMP	BS25722211	2
15	BRIDA SUJECCIÓN MANILLAR / HANDLEBAR CLAMP	BIE500114012	2
16	ARANDELA ESTRIADA 8 NEGRA / BLACK GROOVING WASHER	T4018013	4
17	TORNILLO SUJECIÓN BRIDA / CLAMP SCREW	T0308035	4
18	KIT REPARACIÓN / REPARATION KIT	BS25722209	1
19	MANETA EMBRAGUE / CLUTCH LEVER	BS25722040	1
20	TORNILLO LATIGUILLO / HOSE SCREW	R320000	2
21	LATIGUILLO EMBRAGUE / CLUTCH HOSE	BT27722003	1

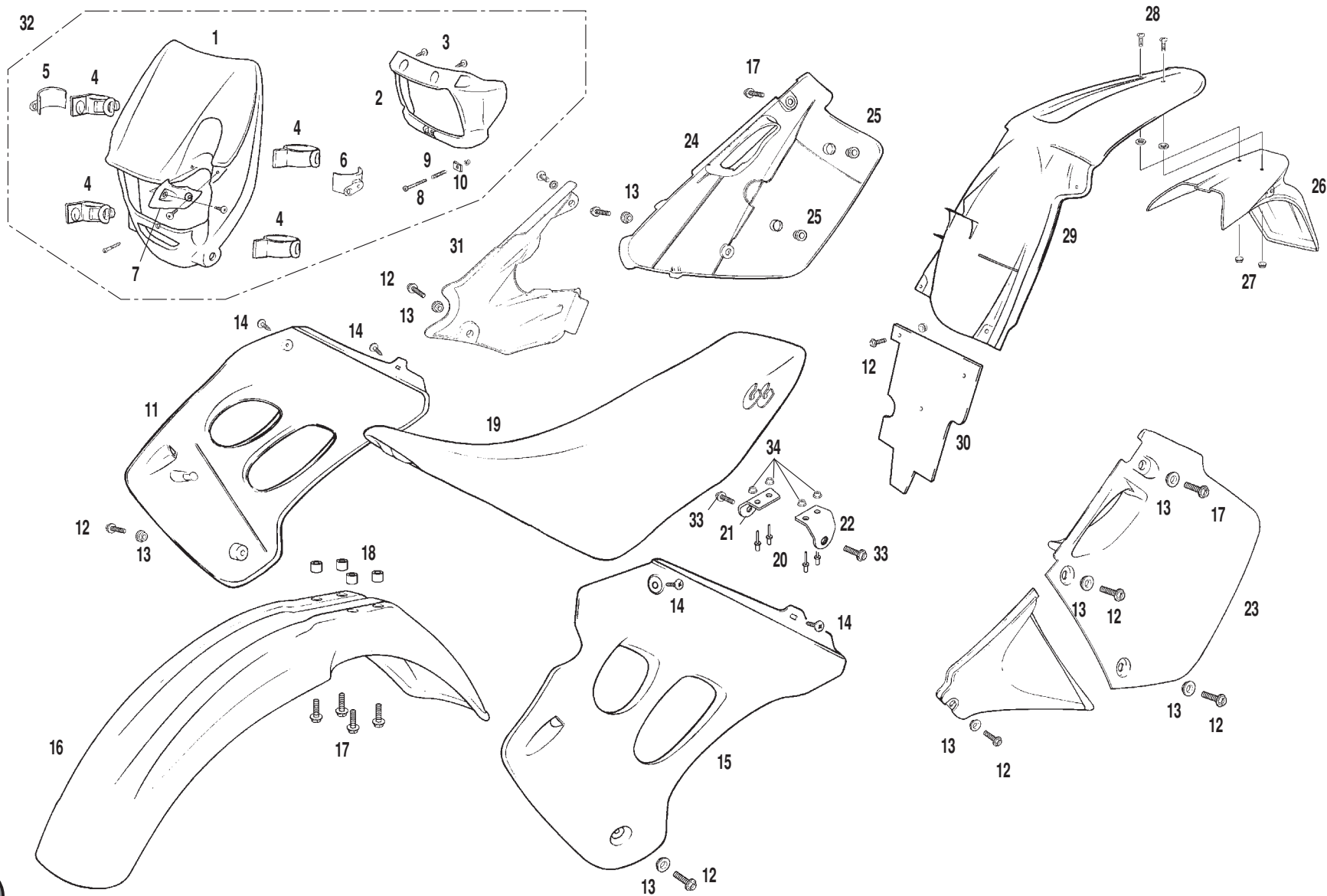


Nº	DESCRIPCION / DESCRIPTION	125 / 250 / 280 c.c.	Cant.
1	ALLEN SUJECCION CTO. HIDRAULICO / HYDRAULIC SET ALLEN BOLT		2
2	ARANDELA GOMA INTERIOR / RUBBER WASHER		2
3	ALLEN ESPECIAL BASE BOTELLA / SPECIAL ALLEN BOLT		3
4	BASE HORQUILLA DERECHA / RIGHT FORK BASE		1
5	GLACIER / GLACIER		2
6	ANILLO DE CIERRE / CLOSE RING		2
7	RETEN SUSPENSION / SUSPENSION SEAL	BEP250214212	2
8	CIRCLIP / CIRCLIP		2
9	GUARDAPOLVO / DUSTKEEPER		2
10	BASE HORQUILLA IZQUIERDA / LEFT FORK BASE		1
11	TUERCA / NUT		1
12	ARANDELA / WASHER		2
13	ANILLO GUIA LATIGUILLO / HOSE GUIDE RING		1
14	ALLEN / ALLEN BOLT		1
15	GLACIER BOTELLA / GLACIER		2
16	BARRA SUSPENSIÓN / INNER TUBE		2
17	TAPON FONDO BOTELLA /		2
18	MUELLE REBOTE / REBOUND SPRING		2
19	EJE AMORTIGUADOR / AXIS		2
20	ANILLO PISTON / PISTON RING		2
21	MUELLE BOTELLA / BOTTLE SPRING		2
22	CASQUILLO PRE-CARGA MUELLE / SPRING BUSHING		2
23	ANILLO TOPE / STOP RING		2
24	TAPON / CAP		2
25	KIT MUELLE Y CASQUILLO / BUSHING AND SPRING SET		2
26	CTO. HIDRAULICO / HYDRAULIC SET		2

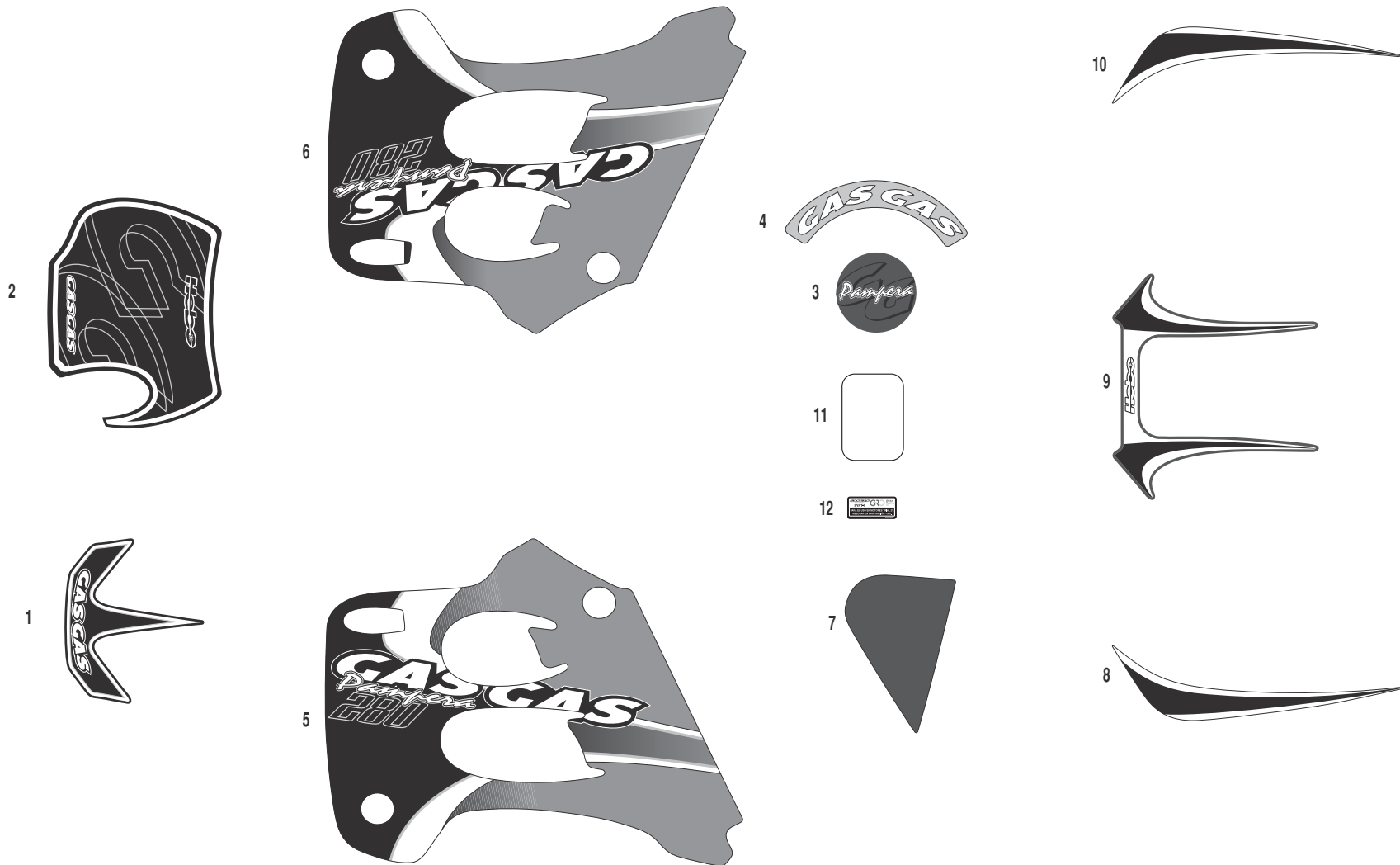




N°	DESCRIPCION / DESCRIPTION	125 / 250 / 280 c.c.	Cant.
1	RUEDA DELANTERA EP250-2002 / FRONT PAMPERA WHEEL	BEP250218000	1
2	LLANTA / RIM	BIE500118006	1
3	GOMA PROTECTOR R14025 2.75X21 / R14025 2.75X21 PROTECTOR BAND	N100000	1
4	CAMARA DELANTERA 2.75X21 / FRONT AIR HOSE	N120000	1
5	RADIO / SPOKE	BIE500118009	36
6	NEUMÁTICO DELANTERO / FRONT TIRE	BIE500118002	1
8	EJE RUEDA DELANTERA ENDUPAMP 2002 / ENDUPAMP WHEEL AXIS	BEP250218017	1
10	COJINETE / BEARING	BEP250218007	1
11	DISTANCIADOR RUEDA DEL.17.2MM INT / FRONT WHEEL SPACER	BEP250218019	1
12	COJINETE / BEARING	BIE500118054	1
13	DISTANCIADOR / SPACER	BIE500118019	1
14	ARANDELA / WASHER	T4015025	1
15	DISCO DELANTERO 260MM EC50 SUPERMOTARD / FRONT BRAKE DISC	BIE500122011SM	1
16	TUERCA EJE BASCULANTE / SWINGARM SHAFT NUT	B260001	1
17	HEXAGONAL M8 CON ARANDELA / M8 HEXAGONAL WITH WASHER	T0208007	6
18	TUERCA CON ARANDELA / NUT WITH WASHER	T2208000	1
19	AGARRE CUBIERTA DELANTERA / FRONT TIRE HOLDER	BE25618027	1
20	ARANDELA / WASHER	T4008017	2
21	ALLEN 8X40 / 8X40 ALLEN	T0308040	2
22	SOPORTE PINZA DELANTERA / FRONT CALIPER SUPPORT	BIE500122120	1
26	SEMIPINZA DELANTERA INTERIOR / FRONT CALIPER	BT27922067	1
27	PASTILLAS DE FRENO DELANTERO / FRONT BRAKE PADS	BIE500122065	1
28	SEMIPINZA DELANTERA EXTERIOR / EXTERIOR FRONT CALIPER	BT27922066	1
29	SANGRADOR PINZA FRENO DELANTERO / FRONT BRAKE CALIPER BLEEDER	BT27922055	1
30	EJE GUIA CENTRAJE PASTILLA / BRAKE CENTER GUIDE SHAFT		1
31			1
32	MUELLE SUJECCION PASTILLA FRENO / BRAKE PAD SPRING	R250000	2
33	ARANDELA LATIGUILLO / HOSE WASHER	BE25622007	2
34	RACORD SUJECION LATIGUILLO / HOSE HOLDER RACORD	R320000	1
35	LATIGUILLO FRENO DELANTERO / FRONT BRAKE HOSE	BIE500122004	1
36	CONJUNTO PINZA FRENO DELANTERO / FRONT BRAKE SET	BIE500122066	1



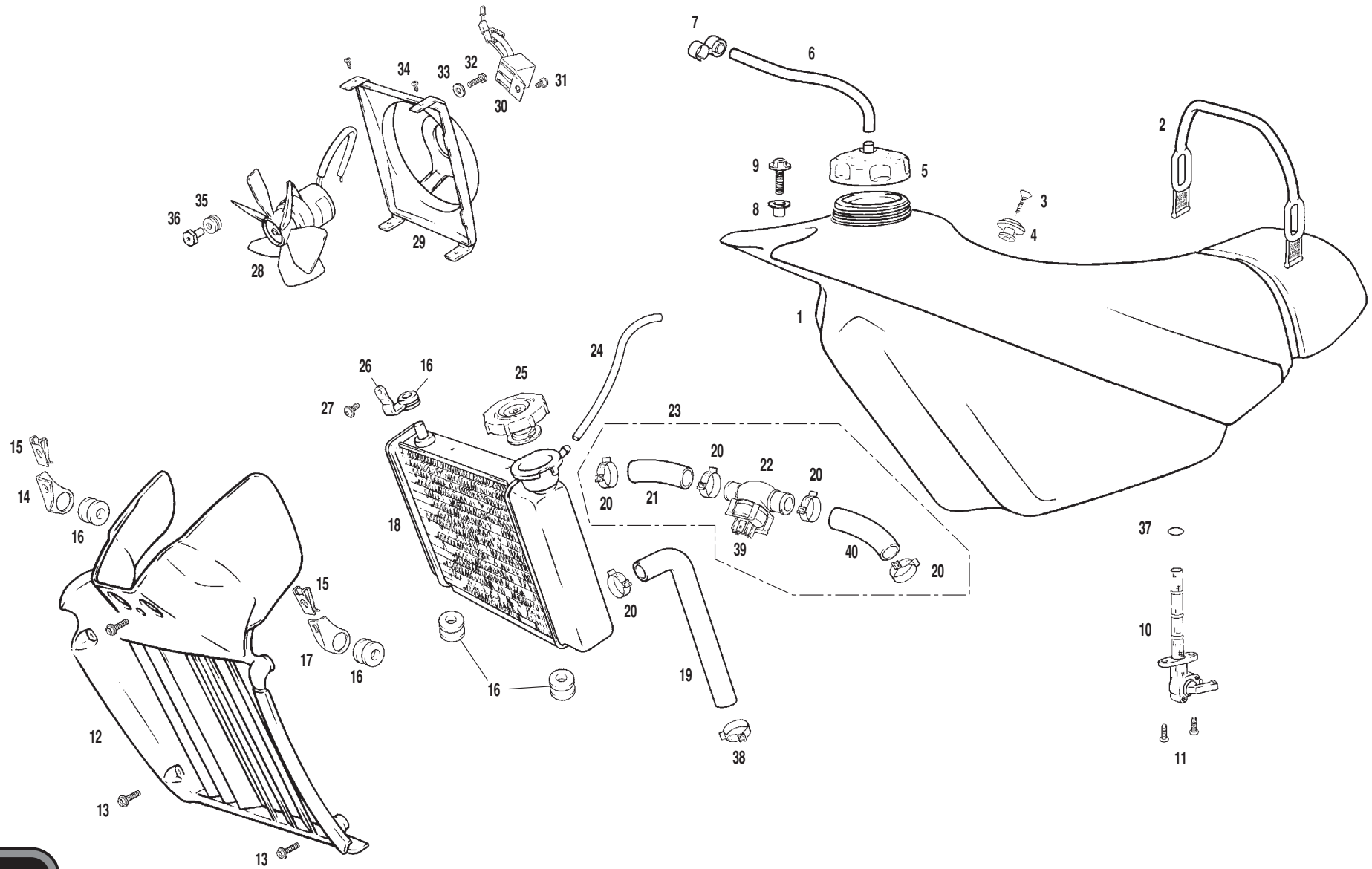
N°	DESCRIPCION / DESCRIPTION	125 / 250 / 280 c.c.	Cant.
1	PORTAFARO DELANTERO EP2002 / FRONT HEADLIGHT	BEP250220020	1
2	PORTAOPTICA FARO GRANADA 2000 / GUIDE PILOT OPTIC	BX250020027	1
3	TORNILLO ROSCA-CHAPA 3,5X13 / 3,5X13 SCREW	T0603513	2
4	GOMA SUJETA FARO D.38 PP / HEADLAMP ELASTIC BAND	BE25636015	4
5	SOPORTE INTERMITENTE DEL. DERECHO EP2002 / RIGHT INDICATOR FRONT HOLDER	BEP250234017	1
6	SOPORTE INTERMITENTE DEL. IZQUIERDO EP2002 / LEFT INDICATOR FRONT HOLDER	BEP250234020	1
7	TAPETA GUIA CABLE FARO / HEADLAMP CABLE GUIDE COVER	BX300120023	1
8	ALLEN REGULADOR OPTICA 4X30 8.8 DIN 912 / ALLEN BOLT LAMP REGULATOR	T0304035	1
9	MUELLE TORNILLO REGULACIÓN OPTICA / LAMP REGULATOR SPRING	BX250020026	1
10	GRAPA REGULACIÓN FARO GRANADA / HEADLAMP REGULATOR STAPLE	BX250020029	1
11	TAPA LATERAL RADIADOR IZQUIERDA EP2002 / LEFT RADIATOR COVER	BEP250220013	1
12	TORNILLO ESPECIAL 6X16 8.8 ZINCADO / SPECIAL SCREW	T0206016	10
13	CASQUILLO TAPA RADIADOR ALUMINIO / ALUMINIUM RADIATOR COVER BUSHING	BE250032060	4
14	TORNILLO ROSCA-CHAPA 3.5X13 / 3,5X13 SCREW	T0603513	4
15	TAPA LATERAL RADIADOR DERECHA EP2002 / RIGHT RADIATOR COVER	BEP250220012	1
16	GUARDABARROS DELANTERO EP2002 / FRONT FENDER	BEP250220006	1
17	TORNILLO ESPECIAL 6X20 8.8 ZINCADO / SPECIAL SCREW	T0206020	6
18	CASQUILLO GUARDABARROS DELANTERO / FRONT FENDER BUSHING	BE25714118	4
19	SILLIN EP2002 / EP2002 SEAT	BEP250210015	1
20	REMACHE POP 14X4.8X14 SILLIN / SEAT RIVET	BE25610017	4
21	SOPORTE SILLIN DERECHO ALUMINIO / RIGHT ALUMINIUM SEAT HOLDER	BE250010019	1
22	SOPORTE SILLIN IZQUIERDO ALUMINIO / LEFT ALUMINIUM SEAT HOLDER	BE250010020	1
23	TAPA LATERAL PORTANUMEROS DERECHO EP2002 / RIGHT SIDE COVER	BEP250220004	1
24	TAPA LATERAL PORTANUMEROS IZQUIERDO EP2002 / LEFT SIDE COVER	BEP250220005	1
25	CASQUILLO TAPA RADIADOR ALUMINIO / ALUMINIUM FRONT FENDER BUSHING	BE250032060	4
26	PORTAMATRICULAS TRASERO / PLATE HOLDER	BE250120003	1
27	TUERCA AUTOBLOCANTE CON ARANDELA M6 / M6 SELF-LOCKING NUT WITH WASHER	T2206002	2
28	TORNILLO PHILIPS M6X20 / M6X20 PHILIPS SCREW	T0706020	2
29	GUARDABARROS TRASERO EP2002 / REAR FENDER	BEP250220007	1
30	PROTECTOR SUSPENSIÓN TRASERA EP2002 / SUSPENSION PROTECTOR	BEP250220008	1
31	SEMITAPA LATERAL DERECHA EC50 / RIGHT SIDE SUB-COVER	BIE500120037	1
32	CTO. FARO DELANTERO EP2002 / FRONT HEADLIGHT	BEP250220120	1
33	TORNILLO ESPECIAL M6X25 / M6X25 SPECIAL SCREW	T0606025	2
34	TUERCA REMACHABLE M6 / M6 RIVETABLE NUT	BE250010070	4



N°	DESCRIPCION / DESCRIPTION	125 c.c.	250 c.c.	280 c.c.	Cant.
1	ADH. GUARDABARROS DELANTERO / FRONT FENDER STICKER		BEP250238027		1
2	ADH. PORTAFAROS / HEADLIGHT STICKER		BEP250238001		1
3	ADH. PAMPERA TAPA MOTOR / ENGINE COVER PAMPERA STICKER		BEP250238040		1
4	ADH. GASGAS TAPA MOTOR / ENGINE COVER GASGAS STICKER		PU000038000		1
5	TAPA RADIADOR IZQUIERDA / LEFT RADIATOR COVER	BEP120238052	BEP250238052	BEP280238052	1
6	TAPA RADIADOR DERECHA / RIGHT RADIATOR COVER	BEP120238002	BEP250238002	BEP280238002	1
7	ADH. TAPA FILTRO AIRE / AIR CLEANER COVER STICKER		BIE500138049AZ		1
8	ADH. TAPA LATERAL TRASERA IZDA. / LEFT REAR COVER STICKER		BEP250238004		1
9	ADH. GUARDABARROS TRASERO / REAR FENDER STICKER		BEP250238030		1
10	ADH. TAPA LATERAL TRASERA DER. / RIGHT REAR COVER STICKER		BEP250238003		1
11	ADH. TRANSPARENTE N° BASTIDOR / CLEAR FRAME NUMBER STICKER		PU000038005		1
12	ADH. USO ACEITE GRO / GRO OIL USE ONLY STICKER		PU000338005		1

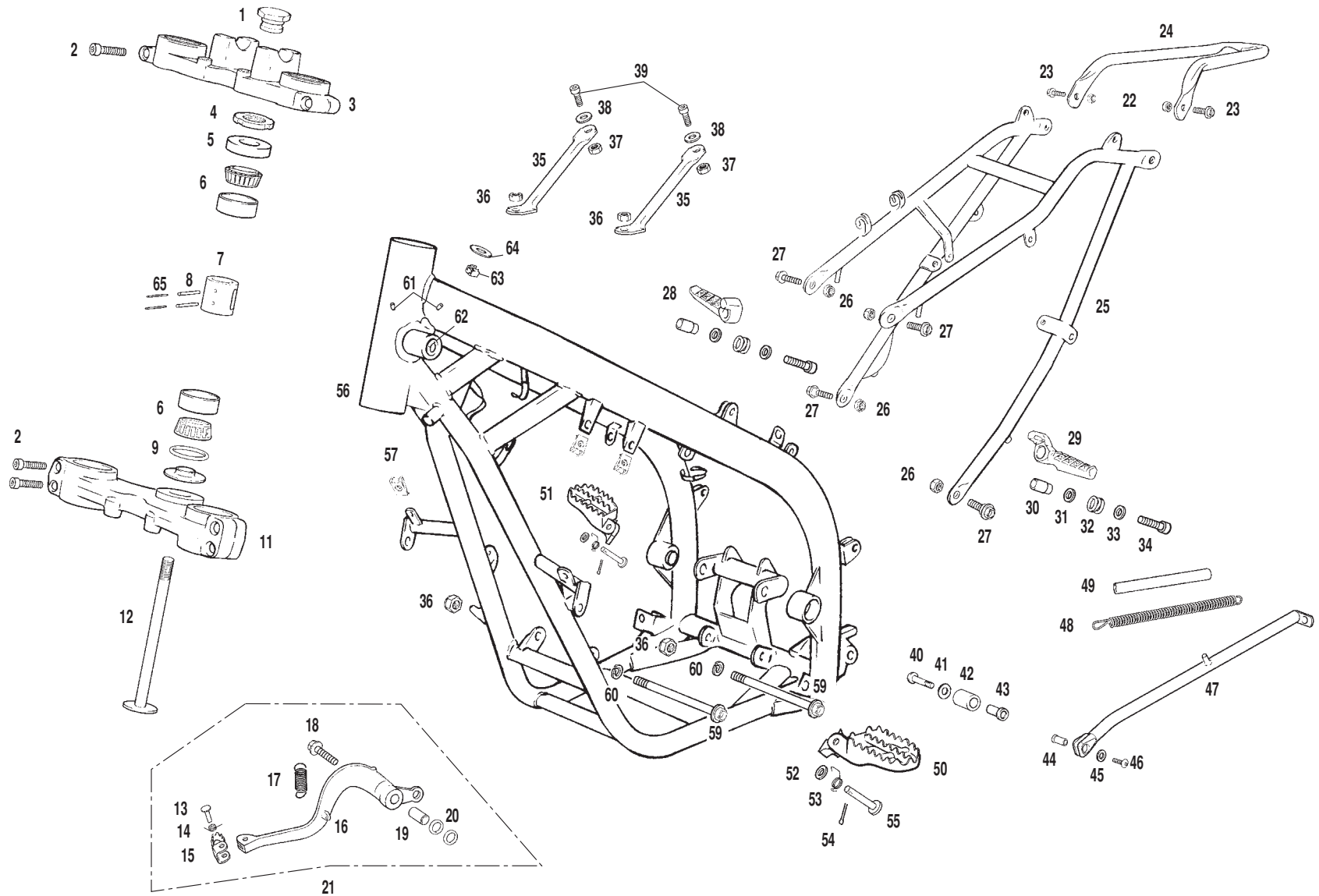


Nº	DESCRIPCION / DESCRIPTION	125 / 250 / 280 c.c.	Cant.
1	DEPOSITO EC50 / FUEL TANK	BIE500110024	1
2	TIRA SUJECCIÓN DEPOSITO / FUEL TANK RUBBER BAND HOLDER	BE250136020	1
3	TORNILLO ROSCA-CHAPA 10X1 / 10X1 SCREW	T0610001	1
4	CASQUILLO DEPOSITO / TANK BUSHING	BE250010007	1
5	TAPON GASOLINA EC-2000 / FUEL TANK CAP	BE250020010	1
6	TUBO DESVAPORIZADOR TAPON GASOLINA / FUEL TANK HOSE	BE25620011	1
7	SOPORTE TUBO DESVAP. 00-23 NEGRO / STEAM HOSE HOLDER	P720005	1
8	CASQUILLO DEPOSITO / TANK BUSHING	BE25610007	1
9	TORNILLO 6X12 / 6X12 SCREW	T0605025	1
10	GRIFO GASOLINA / FUEL TANK	BE25610031	1
11	ULS 6X12 / 6X12 ULS BOLT	T0506012	2
12	REJILLA RADIADOR PP 250-97 / PAMPERA RADIATOR COVER	BP25720001	1
13	ULS 6X20 / 6X20 ULS	T0506020	2
14	OREJA DERECHA SUJECCIÓN PLACA RADIADOR / RIGHT RADIATOR COVER SUPPORT	BEP250210939/2	1
15	TUERCA NUT RÁPIDA / FAST -LOCK NUT	T2606000	2
16	SILENTBLOCK RADIADOR / RADIATOR SILENTBLOCK	BIE500132031	5
17	OREJA IZQUIERDA SUJECCIÓN PLACA RADIADOR / LEFT RADIATOR COVER SUPPORT	BEP250210939/3	1
18	RADIADOR PP 250-97 / PAMPERA RADIATOR	BP25732000	1
19	TUBO RADIADOR-BOMBA / RADIATOR TO PUMP HOSE	BEP250232003	1
20	ABRAZADERA COBRA 23 / 23 COBRA CLAMP	L200041	5
21	TUBO / HOSE	BIE500132003	1
22	SOPORTE TERMO-CONTACTO / TERMO-CONTACT SUPPORT	L200057	1
23	CTO. SUBMARINO /	BEP250232002	1
24	TUBO DESVAPORIZADOR / DESVAP. HOSE	BT27710116	1
25	TAPÓN RADIADOR / RADIATOR CAP	L200110	1
26	SOPORTE RADIADOR / RADIATOR SUPPORT	BT27932015	1
27	ULS 6X10 CON ARANDELA / 6X10 ULS WITH WASHER	T055010	1
28	VENTILADOR / FUN	L300001	1
29	PROTECTOR VENTILADOR / FUN PROTECTOR	L300011	1
30	MODULO VENTILADOR / FUN MODULE	L300021	1
31	TORNILLO ROSCA-CHAPA CON ARANDELA / THREAD SCREW WITH WASHER	T06035013	1
32	HEXAGONAL 4X10 / 4X10 HEXAGONAL BOLT	T0104010	1

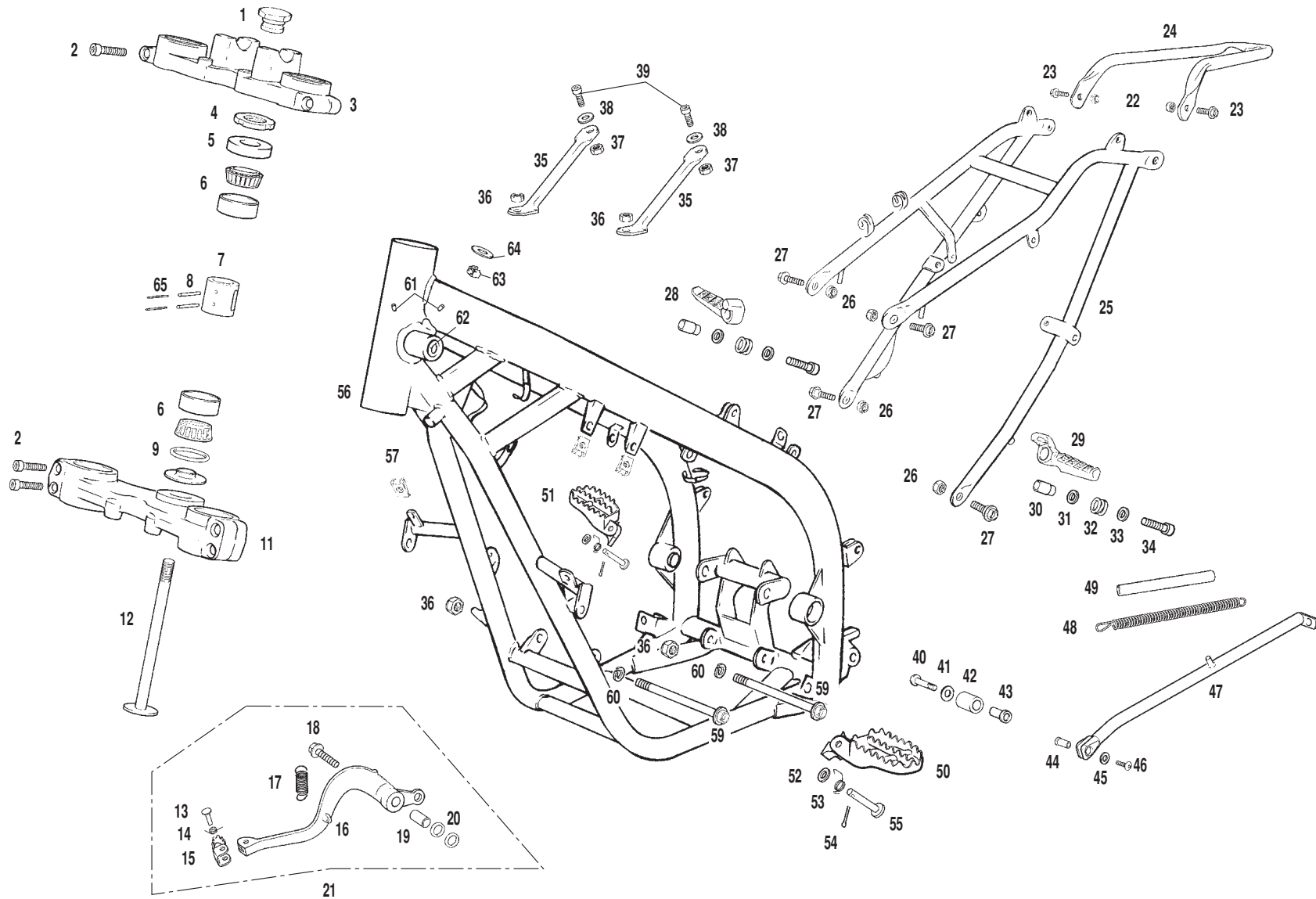




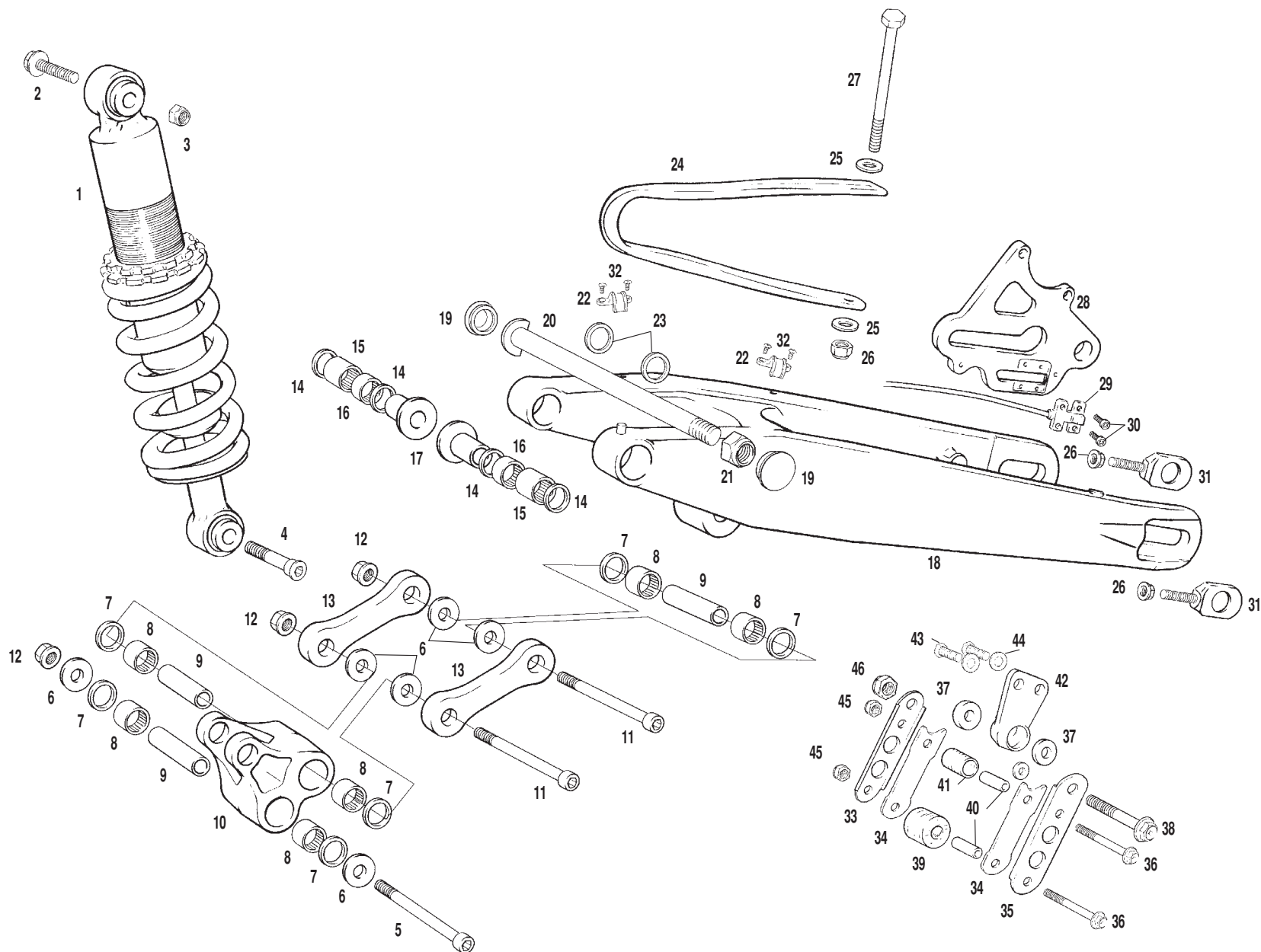
N°	DESCRIPCION / DESCRIPTION	125 / 250 / 280 c.c.	Cant.
33	ARANDELA PLANA 4X12X1 / 4X12X1 PLANE WASHER	T4004012	1
34	TORNILLO ROSCA-CHAPA 3X9 / 3X9 THREAD SCREW	T1003009	4
35	SILENTBLOCK RADIADOR / RADIATOR SILENTBLOCK	G220000	1
36	CASQUILLO VENTILADOR / FUN BUSHING	L300016	1
37	TORICA / O'RING	B740120	1
38	ABRAZADERA COBRA 19 / 19 COBRA CLAMP	L200043	1
39	TERMOCONTACTO / TERMO-CONTACT	M01020003	1
40	TUBO / HOSE		1



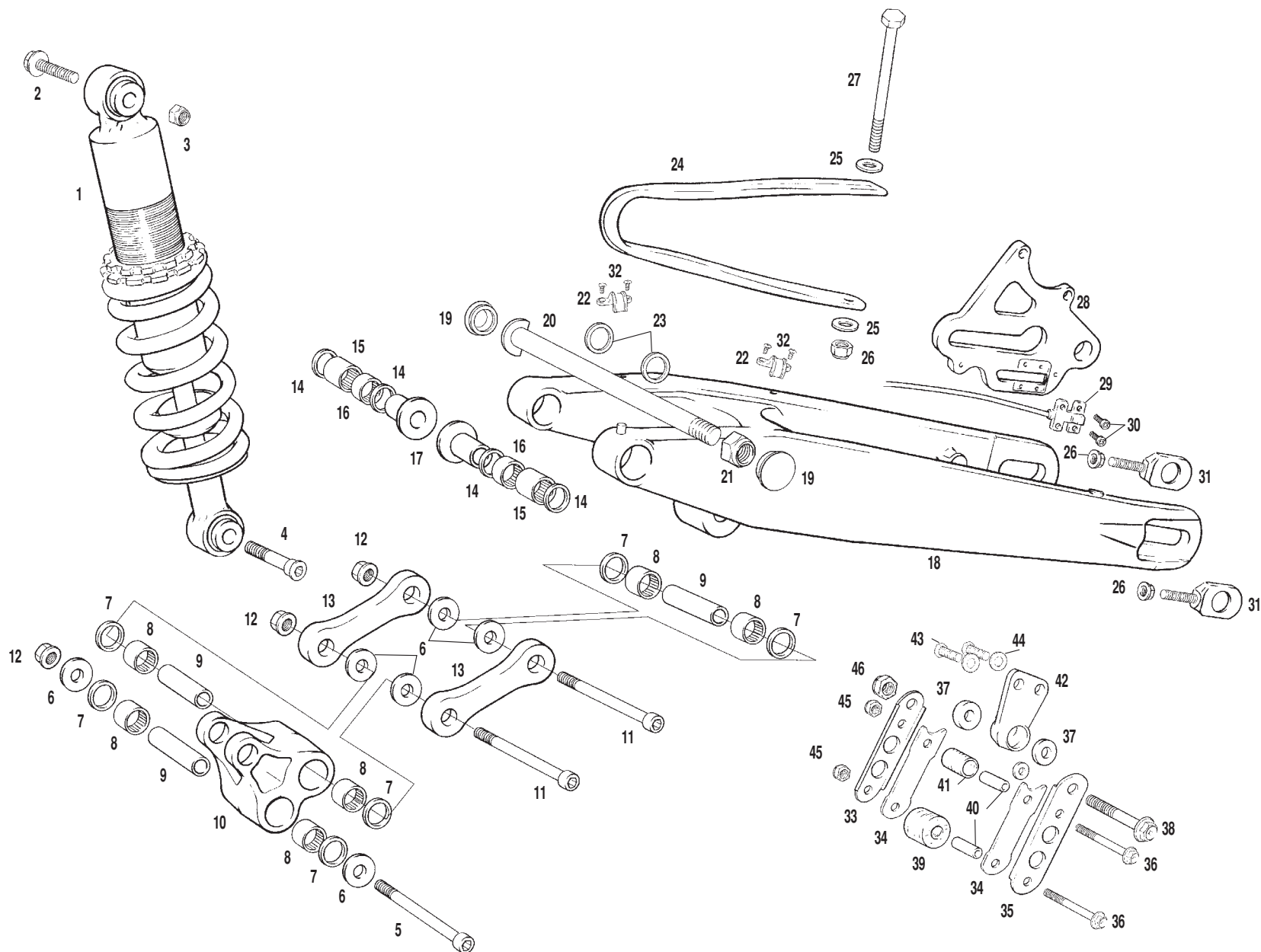
Nº	DESCRIPCION / DESCRIPTION	125 / 250 / 280 c.c.	Cant.
1	TUERCA DIRECCION SUPERIOR EP-2002 / STEERING SHAFT NUT	BEP250210030	1
2	ALLEN 8X35 CUBREDISCO / 8X35 ALLEN BOLT	T0308035	6
3	BRIDA SUSPENSION SUPERIOR / FORK CLAMP (UPPER)	BIE500114001	1
4	TUERCA DIRECCION 99 / STEERING SHAFT NUT	BT27910029	1
5	GUARDAPOLVO COJINETE DIRECCION ENDUPAMP / BEARING DUST COVER	BEP250210026	1
6	COJINETE DIRECCION URBXA 32004 / STEERING BEARING	BT280210008	2
7	CASQUILLO ANTIROBO EJE DIRECCIÓN / STEERING SHAFT BUSHING	BEP250210071	1
8	PASADOR ELÁSTICO 5X30 / 5X30 ELASTIC PIN	BP25710073	2
9	TORICA DIRECCION 50X5 / 50X5 STEERING O'RING	BE25610012	1
11	BRIDA SUSPENSION INFERIOR / FORK CLAMP (LOWER)	BIE500114002	1
12	TIJA DIRECCIÓN / STEERING SHAFT	BEP250214003	1
13	REMACHE PUNTERA PEDAL FRENO 23X5.8 / BRAKE PEDAL END RIVET	BE25922018	1
14	MUELLE PUNTERA PEDAL / BRAKE PEDAL END SPRING	ME25636029	1
15	PUNTERA PEDAL FRENO / BRAKE PEDAL END	BT27922017	1
16	PEDAL FRENO EC-2000 / BRAKE PEDAL	BE250022016	1
17	MUELLE PEDAL FRENO / BRAKE PEDAL SPRING	BE25610023	1
18	TORNILLO ESPECIAL PEDAL FRENO / BRAKE PEDAL SPECIAL SCREW	T0206014	1
19	CASQUILLO PEDAL FRENO EP250-2002 / BRAKE PEDAL BUSHING	BEP250210302	1
20	TORICA 8X1.5 PEDAL FRENO / BRAKE PEDAL O'RING	ME250036063	2
21	CTO. PEDAL FRENO / BRAKE PEDAL SET	BE250022021	1
22	TUERCA AUTOBLOCANTE M6 ALTA / M6 SELF-LOCKING NUT	T2106002	2
23	HEXAGONAL 6X20 / 6X20 HEXAGONAL BOLT	T0106020	2
24	COLIN SOPORTE GUARDAB. TRAS. ALUM. / ALUMINIUM REAR FENDER SUPPORT	BE250010018	1
25	COLA CHASIS EP2002 / ENDUPAMP FRAME TAIL	BEP250210001	4
26	TUERCA AUTOBLOCANTE / SELF-LOCKING NUT	T2108001	4
27	TORNILLO ESPECIAL 8X20 ZINCADO / 8X20 SPECIAL SCREW	T0208020	4
28	ESTRIBO TRASERO DERECHO EC50 / RIGHT REAR FOOTREST	BIE500110102	1
29	ESTRIBO TRASERO IZQUIERDO EC50 / LEFT REAR FOOTREST	BIE500110103	1
30	CASQUILLO / BUSHING	BIE500110104	2
31	ARANDELA / WASHER	T4001020	2
32	MUELLE / SPRING	BIE500110037	2
33	ARANDELA / WASHER	T4008017	2



Nº	DESCRIPCION / DESCRIPTION	125 / 250 / 280 c.c.	Cant.
34	ALLEN M8X35 / M8X35 ALLEN	T0308035	2
35	TIRANTE CILINDRO EP2002 / CYLINDER HEAD BRACE	BEP250210050	2
36	TUERCA M10 CON ARANDELA / M10 NUT WITH WASHER	M01613001	4
37	TUERCA AUTOBLOCANTE M8 BAJA / M8 LOW SELF-LOCKING NUT	T2108001	2
38	ARANDELA 8X20X1,5 / 8X20X1,5 WASHER	T4008020	2
39	ALLEN 8X20 / 8X20 ALLEN	T0308020	2
40	HEXAGONAL 8X45 / 8X45 HEXAGONAL BOLT	T0108045	1
42	RODILLO GUIA CADENA / CHAIN ROLL	BIE500110032	1
43	CASQUILLO RODILLO GUIA CADENA / CHAIN ROLL BUSHING	BE25612016	1
44	CASQUILLO GUIA CABALLETE TRIAL / SIDE STAND BUSHING	BT27712011	1
46	ULS CON ARANDELA M8X12 ZINCADO / 8X12 ULS WITH WASHER	T0558012	1
47	CABALLETE EP-2002 / ENDUPAMP SIDESTAND BRACKET	BEP250212010	1
48	MUELLE CABALLETE ENDUPAMP / ENDUPAMP SIDESTAND SPRING	BEP250210039	1
49	TUBO PLASTICO PROTECTOR MUELLE CAB. D-13X1 / SPRING PLASTIC PROTECTOR	BT27912050	1
50	ESTRIBO IZQUIERDO 99 / LEFT FOOTREST	BT27910003	1
51	ESTRIBO DERECHO 99 / RIGHT FOOTREST	BT27910002	1
52	ARANDELA PLANA 10 / LOWER WASHER	T4001020	4
53	MUELLE ESTRIBO IZQUIERDO / LEFT FOOTREST SPRING	BE25610038	1
54	CLAVIJA ZINC 3X35 / ZINC	BE25622022	2
55	CASQUILLO ESTRIBO / FOOTREST BUSHING	BE25610006	2
56	CHASIS EP2002 / ENDUPAMP FRAME	BEP250210000	1
57	TUERCA NUT 956 RAPIDA M-6 / M6 FAST SELF-LOCKING NUT	T2606000	11
59	TORNILLO 10X100 / 10X100 SCREW	T310100	2
60	GLOVER / GLOVER	T4010314	2
61	CONJUNTO REMACHE ANTIRROBO EC / STEERING LOCK	BE250010076	2
62	ANTIRROBO EC-2000 / WASHER	BE250010075	1
63	ARANDELA REGLAJE / REGULATE WASHER	T400126	1
64	TUERCA ENJAULADA / NUT	T2005010	1
65	PASADOR ELÁSTICO 3X28 / 3X28 ELASTIC PIN	BP25710074	2

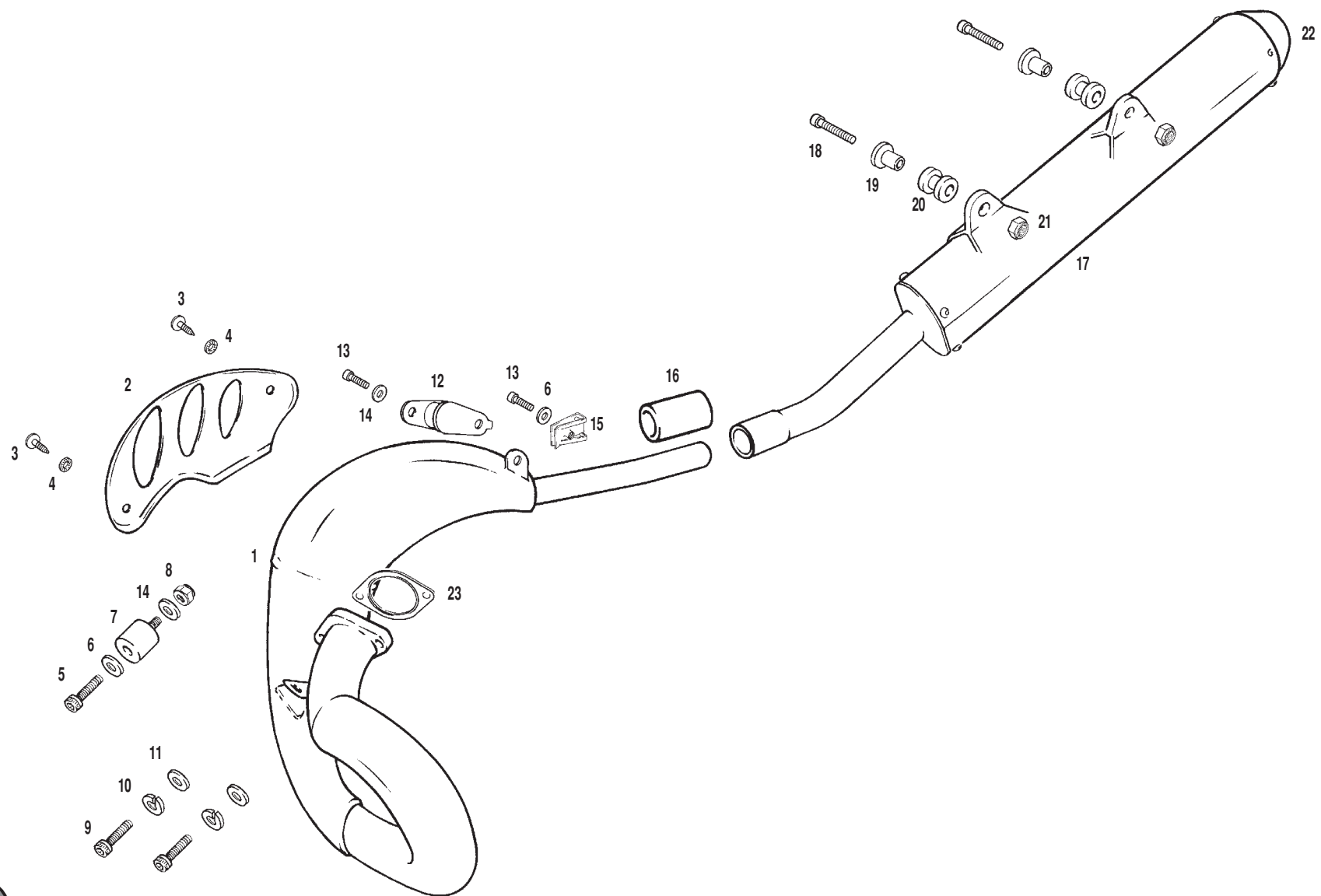


N°	DESCRIPCION / DESCRIPTION	125 / 250 / 280 c.c.	Cant.
1	AMORTIGUADOR EC50 / EC50 SHOCK ABSORBER	BIE500114004	1
2	TORNILLO ESPECIAL M10X55 / M10X55 SPECIAL SCREW	T0210055	1
3	TUERCA CON ARANDELA / NUT WITH WASHER	T0310002	1
4	TORNILLO ALLEN 10X40 CABEZA REBAJADA / 10X40 ALLEN SCREW	T0311040	1
5	TORNILLO ALLEN M12X80 / 12X80 ALLEN	T0312080	1
6	ARANDELA 12.5X28X1 / 12.5X28X1 WASHER	T4012528	8
7	RETEN 18X24X3 SUSP. TRASERA / 18X24X3 REAR SHOCK SEAL	BIE500110011	6
8	COJINETE 18BM2416 SUSP. TRASERA / 18BM2416 REAR SHOCK BEARING	BIE500114010	6
9	CASQUILLO 12X18X48 SUSP. TRASERA / 12X18X48 REAR SHOCK BUSHING	BIE500112014	3
10	BALANCIN EC50 / ROCKER ARM	BIE500114005	1
11	TORNILLO ALLEN M12X85 / 12X85 ALLEN BOLT	T0312085	2
12	TUERCA CON ARANDELA M12 AUTOBLOC. / SELF-LOCKING M12 NUT WITH WASHER	T2212000	3
13	BIELETA EC 50 / CONNECTING ROD	BIE500114008	1
14	RETEN 20-26-4 870 N BASCULANTE / 20-26-4 870 N SWINGARM SEAL	C220001	2
15	JAULA AGUJAS HK2020 / HK2020 NEEDLES BEARING	C100001	2
16	JAULA AGUJAS HK2010 / HK2010 NEEDLES BEARING	BIE500114011	2
17	CASQUILLO EJE BASCULANTE EP2002 / SWINGARM BUSHING	BEP250210914	2
18	BASCULANTE EC50 / SWINGARM	BIE500112002	1
19	TAPON BASCULANTE / SWINGARM CAP	G230000	2
20	EJE BASCULANTE EC-2000 / SWINGARM SHAFT	BE25912008	1
21	TUERCA BASCULANTE / SWINGARM NUT	BE25612009	1
22	SUJECCIÓN LATIGUILLO SOBRE BASCULANTE / SWINGARM HOSE HOLDER	BE25612006	2
23	CASQUILLO 12X18X48 SUSPENSIÓN TRAS. / REAR SHOCK 12X18X48 BUSHING	BIE500112014	2
24	PATIN CADENA EC-2001 / CHAIN SLIDER	BE250112015	1
25	ARANDELA / WASHER	T4006018	1
26	TUERCA AUTOBLOCANTE M8 BAJA / M8 SELF-LOCKING NUT	T2108001	3
27	TORNILLO HEXAGONAL M6X90 CILINDRO DIN 933 / CYLINDER HEXAGONAL SCREW	MIT50016031	1
28	SOPORTE PINZA FRENO TRASERO / REAR BRAKE CALIPER SUPPORT	BIE500122120	1
29	ALARGO CABLE SENSOR EC2001 / HALL SENSOR LEAD CABLE	BE250134040	1
30	TORNILLO ESPECIAL M4X9 / M4X9 SPECIAL SCREW	T0204009	4
31	SENSOR RUEDA EC50 / WHEEL TENSOR	BIE500118022	2
32	ULS 5X10 / 5X10 ULS	T0505010	4





N°	DESCRIPCION / DESCRIPTION	125 / 250 / 280 c.c.	Cant.
33	PLATINA GUIA CADENA IZQUIERDA / LEFT CHAIN GUIDE BRACKET	BE25912017	1
34	TIRA NYLON ANTIRUIDO / ANTI-NOISE NYLON BAND	BE25612022	2
35	PLATINA GUIA CADENA DERECHA / RIGHT CHAIN GUIDE BRACKET	BE25912017	1
36	ALLEN 6X40 / 6X40 ALLEN BOLT	T0306040	2
37	DISTANC. SOP. GUIA CADENA PEQ. / LITTLE CHAIN GUIDE SUPPORT SPACER	BE25612020	2
38	TORNILLO ESPECIAL 8X40 8.8 ZINCADO / 8X40 SPECIAL SCREW	T0208040	1
39	RODILLO GUIA CADENA / CHAIN GUIDE ROLLER	BE256120121	1
40	CASQUILLO GUIA CADENA / CHAIN GUIDE BUSHING	BE25610025	2
41	RODILLO GUIA CADENA SUPERIOR / UPPER CHAIN GUIDE ROLLER	BE25610014	1
42	SOPORTE GUIA CADENA / CHAIN GUIDE SUPPORT	BE25612018	1
43	HEXAGONAL 8X20 / 8X20 HEXAGONAL BOLT	T0208020	2
44	ARANDELA 8x20x1,5 / 8X20X1,5 WASHER	T4008016	2
45	TUERCA AUTOBLOCANTE BAJA M6 / M6 SELF-LOCKING NUT	T2106001	2
46	TUERCA AUTOBLOCANTE BAJA M8 (DIN 985) / M8 SELF-LOCKING NUT	T2108001	1

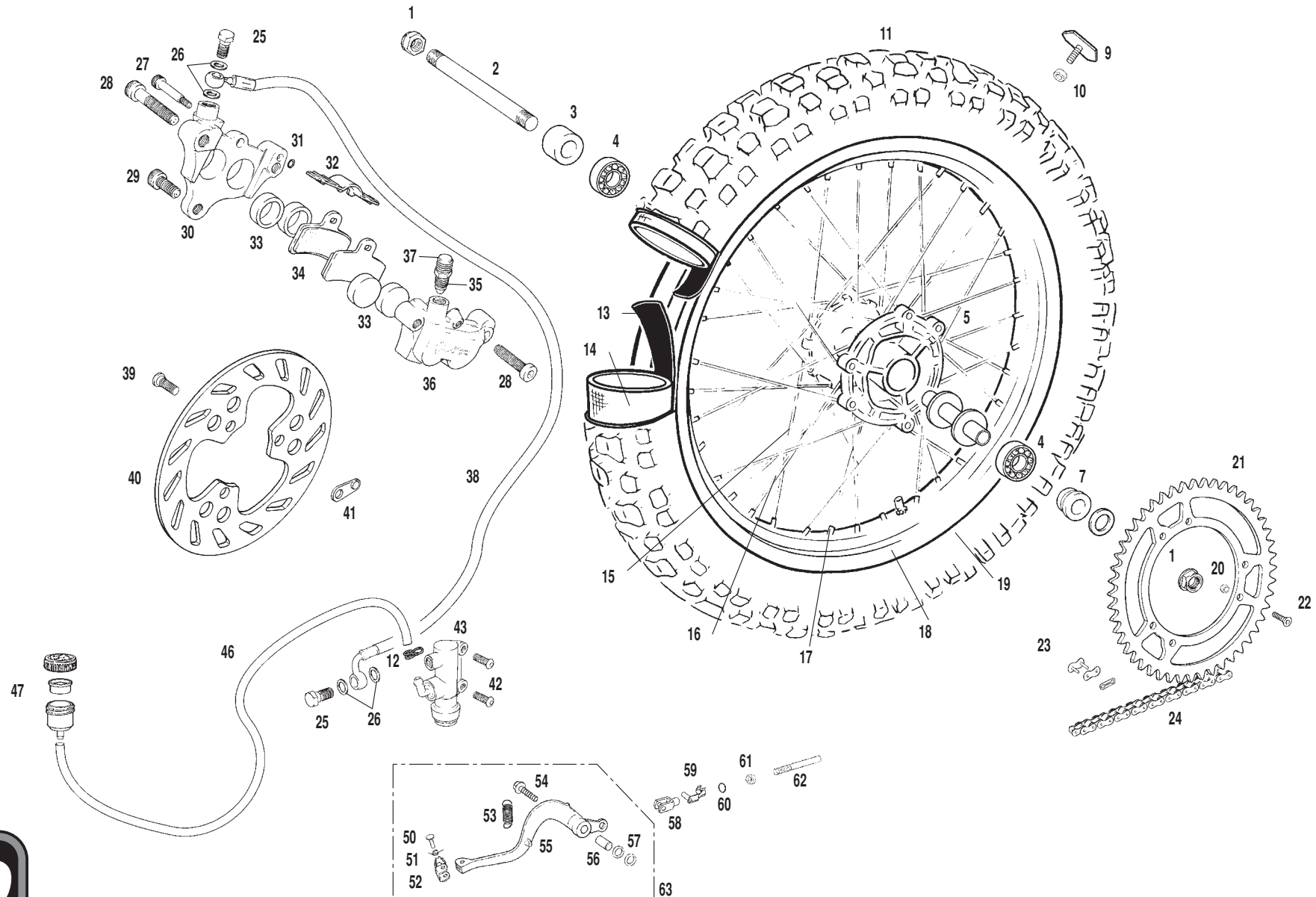


N°	DESCRIPCION / DESCRIPTION	125 / 250 / 280 c.c.	Cant.
1	TUBO ESCAPE EP2002 / EXHAUST PIPE	BEP250226001	1
2	PROTECTOR ESCAPE / EXHAUST PROTECTOR	BS25726016	1
3	ULS 6X10 / 6X10 ULS BOLT	T0506010	2
4	ARANDELA ESTRIADA / GROOVING WASHER	T4006511	2
5	ALLEN 6X10 / 6X10 ALLEN BOLT	T0306010	1
6	ARANDELA PLANA 6X12X1.5 / 6X12X1.5 FLAT WASHER	T4006018	3
7	SILENTBLOCK ESCAPE 8986 25/20MF6 / EXHAUST SILENT-BLOCK	BE25626007	1
8	TUERCA AUTOBLOCANTE BAJA M6 / M6 SELF-LOCKING NUT	T2106001	1
9	ALLEN M8 X25 / M8X25 ALLEN BOLT	T0308025	2
10	GLOVER / GLOBER	T4001015	2
11	ARANDELA PLANA / FLAT WASHER	T4008018	2
12	SILENTBLOC ESCAPE 10942 / EXHAUST SILENT-BLOCK	BE25626004	1
13	ALLEN 6X16 BOMBA EMBRAGUE / CLUTCH PUMP ALLEN BOLT	T0306016	1
14	ARANDELA 6X18X1.5 / 6X18X1.5 WASHER	T4006018	1
15	TUERCA NUT 956 RAPIDA M6 / M6 FAST NUT	T2606000	2
16	JUNTA ESCAPE DE SILICONA / SYLICONE EXHAUST GASKET	BE12626003	1
17	SILENCIOSO EP2002 / ENDUPAMP SILENCER	BEP250226002	1
18	ALLEN 6X30 8.8 / 6X30 8.8 ALLEN BOLT	T0306030	2
19	CASQUILLO SILENTBLOCK SILENCIADOR ALUM. / ALUMINIUM SILENCER BUSHING	BE250026000	2
20	SILENTBLOCK SILENCIADOR EC-2000 / SILENCER SILENT-BLOCK	BE250026005	2
21	TUERCA M-6 CON ARANDELA / M6 NUT WITH WASHER	T2306000	2
22	REMACHE D.4X10 ALUMINIO SILENCIOSO / ALUMINIUM SILENCER RIVET	BE250026032	6
23	JUNTA ESCAPE / EXHAUST GASKET	BT27926003	1

# Rueda trasera / Rear wheel

# GAS GAS

# PAMPERA 2002

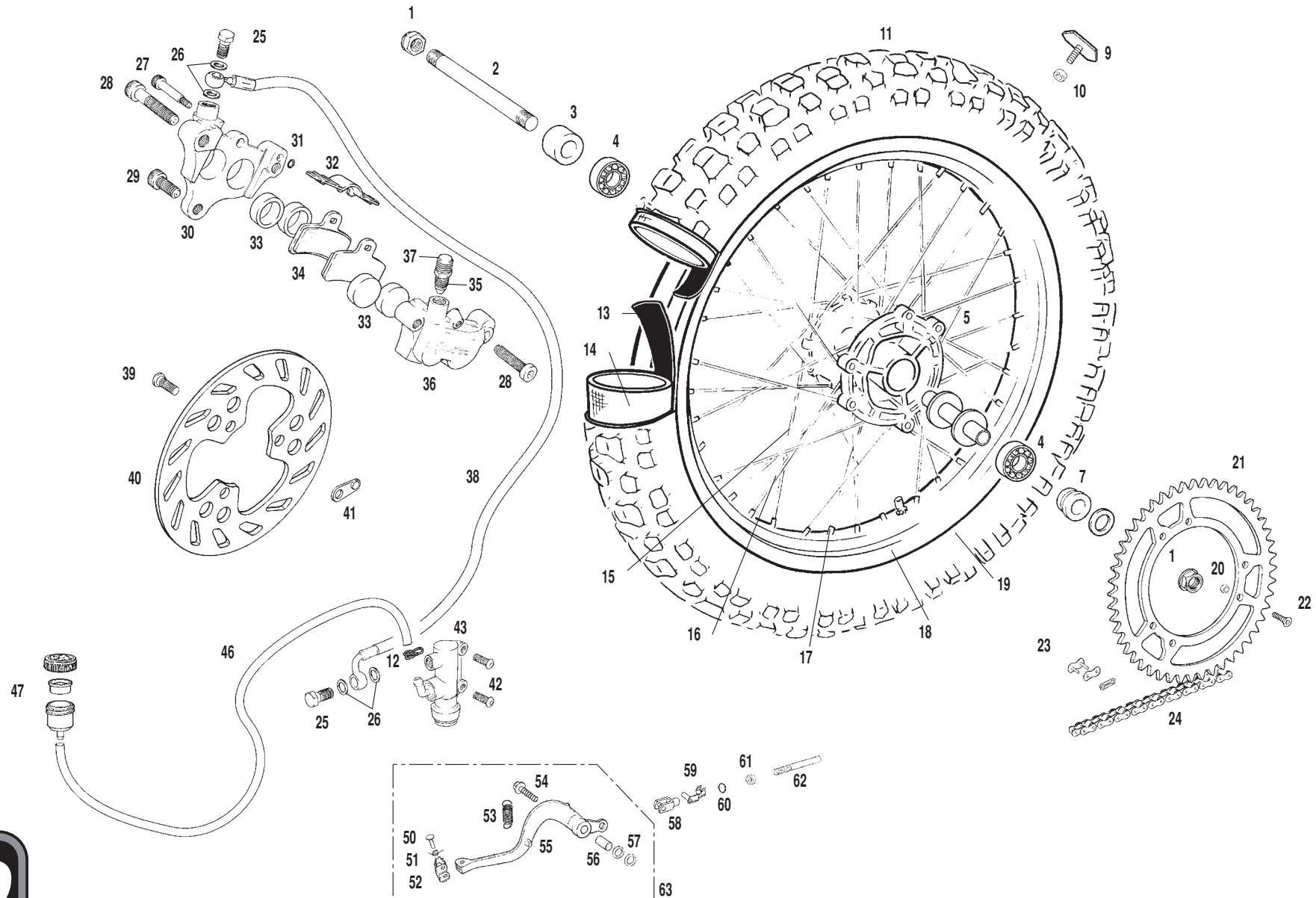


Nº	DESCRIPCION / DESCRIPTION	125 / 250 / 280 c.c.	Cant.
1	TUERCA EJE RUEDA TRASERA / REAR WHEEL AXIS NUT	R640001	2
2	EJE RUEDA TRASERA EC50 / REAR WHEEL AXIS	BIE500118020	1
3	DISTANCIADOR RUEDA TRASERA DER. EC50 / RIGHT REAR WHEEL SPACER	BIE500118021	1
4	COJINETE 6003 DU C3 / 6003 DU C3 BEARING	BIE500118054	2
5	CUBO RUEDA TRASERA ENDUPAMP / ENDUPAMP REAR WHEEL HUB	BEP250218027	1
7	DISTANCIADOR RUEDA TRASERA IZQDA. EC50 / LEFT REAR WHEEL SPACER	BIE500118025	1
9	AGARRE CUBIERTA TRASERA / REAR TYRE HOLDER	BE25618008	1
10	TUERCA CON ARANDELA ESTRIADA M8 / M8 NUT WITH WASHER	T2208000	1
11	RUEDA TRASERA EP2002 / REAR ENDUPAMP WHEEL	BEP250218100	1
12	ABRAZADERA MUELLE M-11.6 / SPRING CLAMP	BE25610044	1
13	GOMA PROTECCIÓN CAMARA 400X18 / REAR RIM BAND	N160000	1
14	CAMARA TRASERA 400X18 / REAR AIR HOSE	N180000	1
15	RADIO LADO FRENO / BRAKE-SIDE SPOKE	BIE500118014	18
16	RADIO LADO CORONA / SPROCKET-SIDE SPOKE	BIE500118015	18
17	TUERCA RADIO TRASERO / REAR SPOKE NUT	BIE500118016	36
18	LLANTA TRASERA / REAR RIM	BIE500118011	1
19	NEUMÁTICO TRASERO / REAR TYRE	BEP250218005	1
20	TUERCA AUTOBLOCANTE M8 ALTA CORONA / HIGH SELF-LOCKING NUT	BE25618031	6
21	CORONA TRASERA HIERRO / REAR IRON SPROCKET	BEP250218024/2	1
22	ALLEN CONICO 8X30 / 8X30 CONIC ALLEN	T0408030	6
23	ENGANCHE CADENA / CHAIN SPLIT LINK	BT28021006	1
24	CADENA 104 PASOS EP250-2002 / ENDUPAMP CHAIN	BEP250210036	1
25	RACORD FIJACION LATIGUILLO / HOSE WASHER	R320000	2
26	ARANDELA LATIGUILLO	BT27922072	4
27	TORNILLO UMBRAKO PASADOR / SCREW	BT27922006	1
28	ALLEN SUJECCIÓN PINZAS FRENO / SUPPORT BRAKE PADS ALLEN	T0318035	2
29	ALLEN 8X20 / 8X20 ALLEN	T0318020	1
30	PINZA FRENO EXTERIOR / EXTERIOR BRAKE PAD	BT27922076	1
31	TORICA PEQUEÑA 3X1,5 / 3X1,5 LITTLE O'RING	BT27922074	1
32	TAPA PLÁSTICO PASTILLAS DE FRENO / BRAKE PADS PLASTIC COVER	BT27920028	1
33	PISTON DE FRENO / BRAKE PISTON	BT27922069	4
34	PASTILLAS DE FRENO TRASERO / REAR BRAKE PADS	BT280022065	2

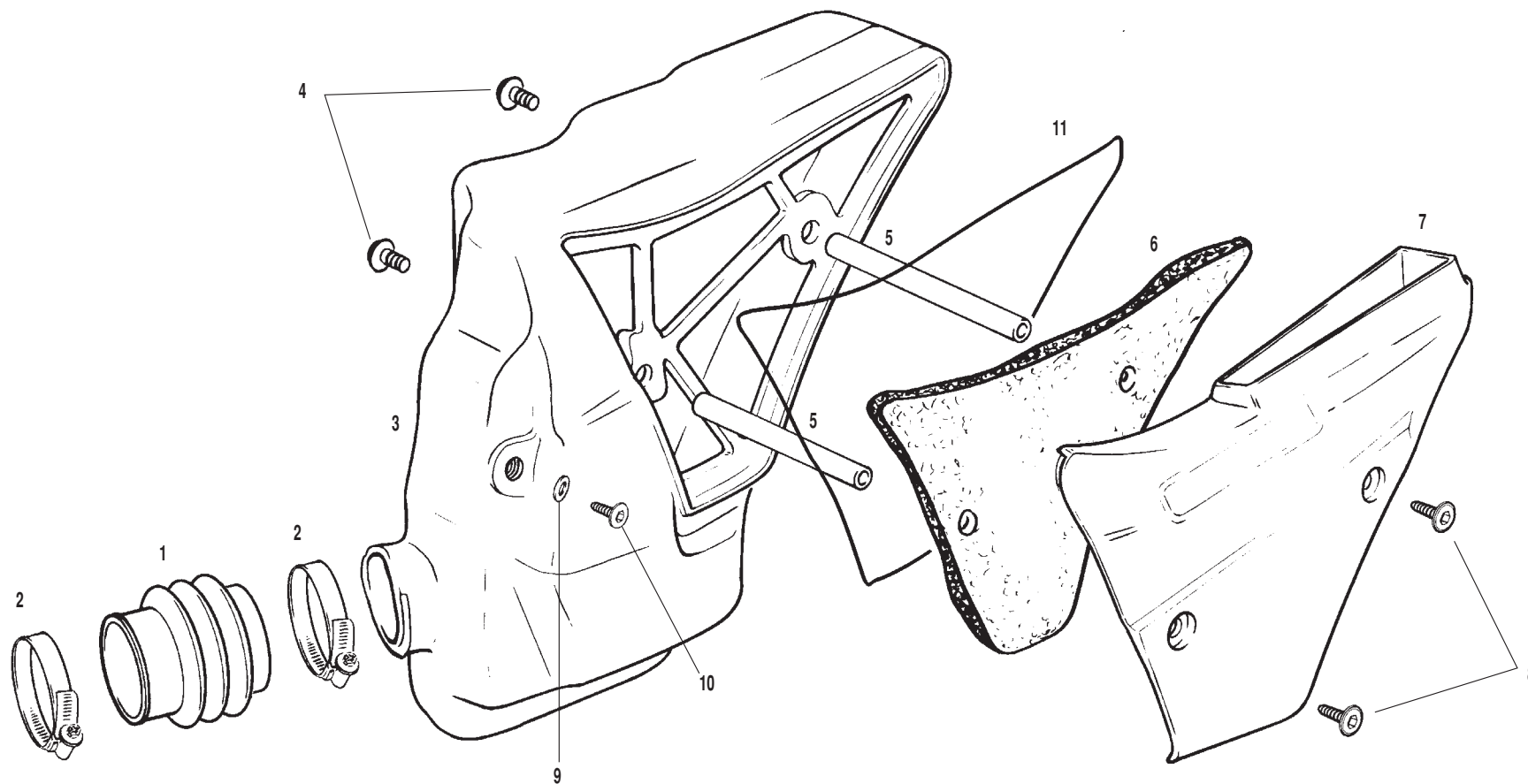
# Rueda trasera / Rear wheel

# GAS GAS

# PAMPERA 2002

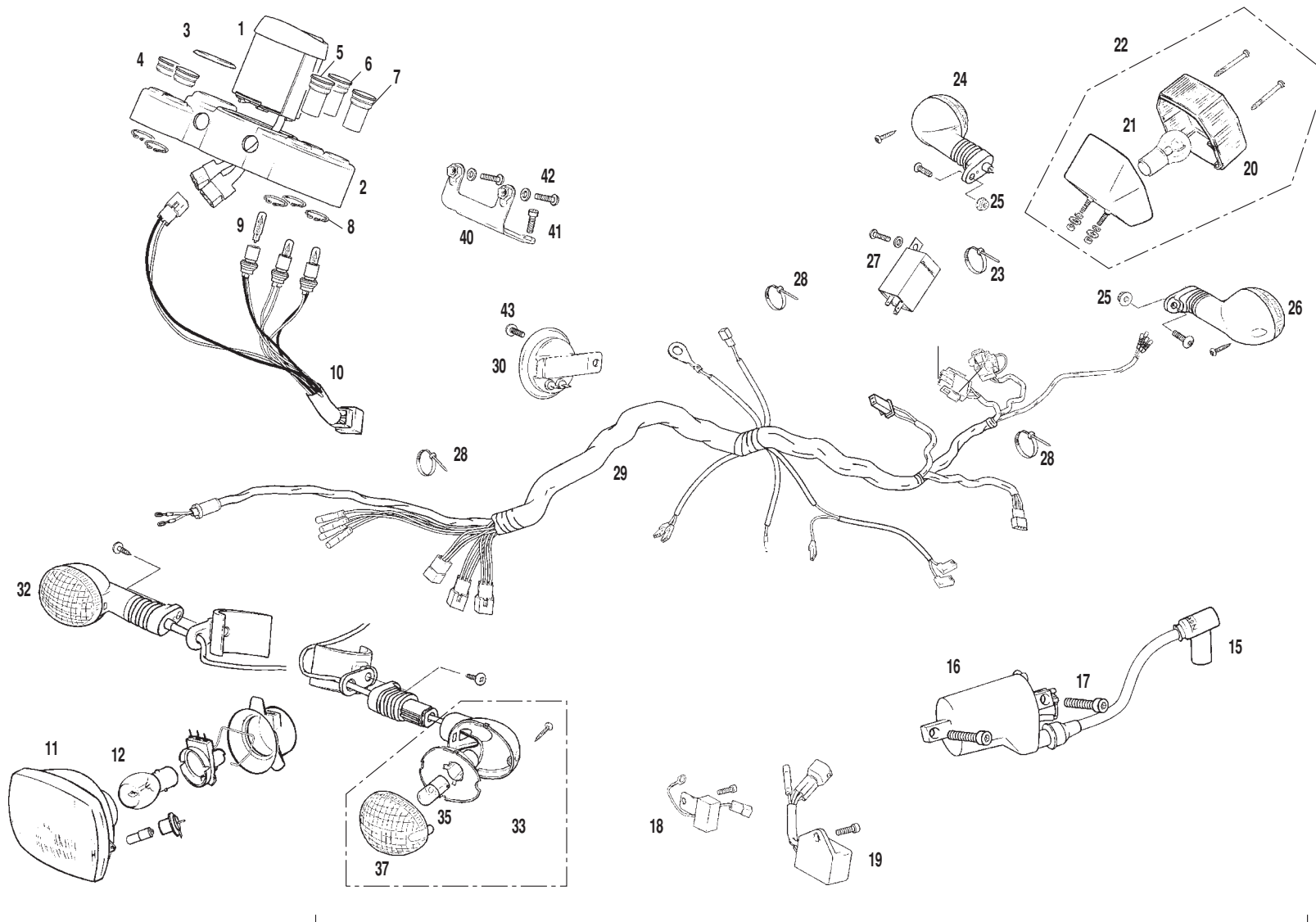


N°	DESCRIPCION / DESCRIPTION	125 / 250 / 280 c.c.	Cant.
35	SANGRADOR PINZA FRENO / BRAKE CALIPER BLEEDER	BT27922060	1
36	PINZA FRENO INFERIOR / INFERIOR BRAKE PAD	BT27922077	1
37	TAPON SANGRADOR PINZA FRENO / BLEEDER CAP	BT27922055	1
38	LATIGUILLO FRENO TRASERO / REAR BRAKE HOSE	BIE500122004	1
39	TORNILLO DISCO TRASERO / REAR DISK SCREW	BE25618032	3
40	DISCO FRENO TRASERO / REAR BRAKE DISC	BE500122012	1
41	IMAN 13 AG / MAGNET	BE120134012	1
42	ULS 6X16 / 6X16 ULS	T0506016	2
43	BOMBA FRENO TRASERO / REAR BRAKE PUMP	R350100	1
46	TUBO LIQUIDO FRENO / BRAKE FLUID TUBE	BE250010116	1
47	DEPÓSITO LIQUIDO DE FRENO / BRAKE FLUID TANK	BE25610016	1
48	BOMBA FRENO TRASERO / REAR BRAKE PUMP	R350100	1
50	REMACHE PUNTERA PEDAL FRENO / BRAKE PEDAL END RIVET	BE25922018	1
51	MUELLE PUNTERA PEDAL FRENO / BRAKE PEDAL END SPRING	ME25636029	1
52	PUNTERA PEDAL FRENO / BRAKE PEDAL END	BT27922017	1
53	MUELLE PEDAL FRENO / BRAKE PEDAL SPRING	BE25610023	1
54	TORNILLO ESPECIAL PEDAL FRENO / BRAKE PEDAL SPECIAL SCREW	T0206014	1
55	PEDAL FRENO EC2000 / EC BRAKE PEDAL	BE250022016	1
56	CASQUILLO PEDAL FRENO / BRAKE PEDAL BUSHING	BEP250210302	1
57	TORICA PEDAL FRENO / BRAKE PEDAL O'RING	ME250036063	2
58	HORQUILLA VARILLA FRENO / BRAKE PIN YOKE	BE25622014	1
59	CHAPA METÁLICA / METALLIC CAP	BE256220022	1
60	TORICA 8X1,5 PEDAL FRENO / BRAKE PEDAL O'RING	BE25622028	1
61	TUERCA M6 / M6 NUT	BT2006000	1
62	VARILLA FRENO TRASERO / REAR BRAKE	BEP250222062	1
63	CTO. PEDAL FRENO TRASERO / REAR BRAKE PEDAL SET	BE250022021	1

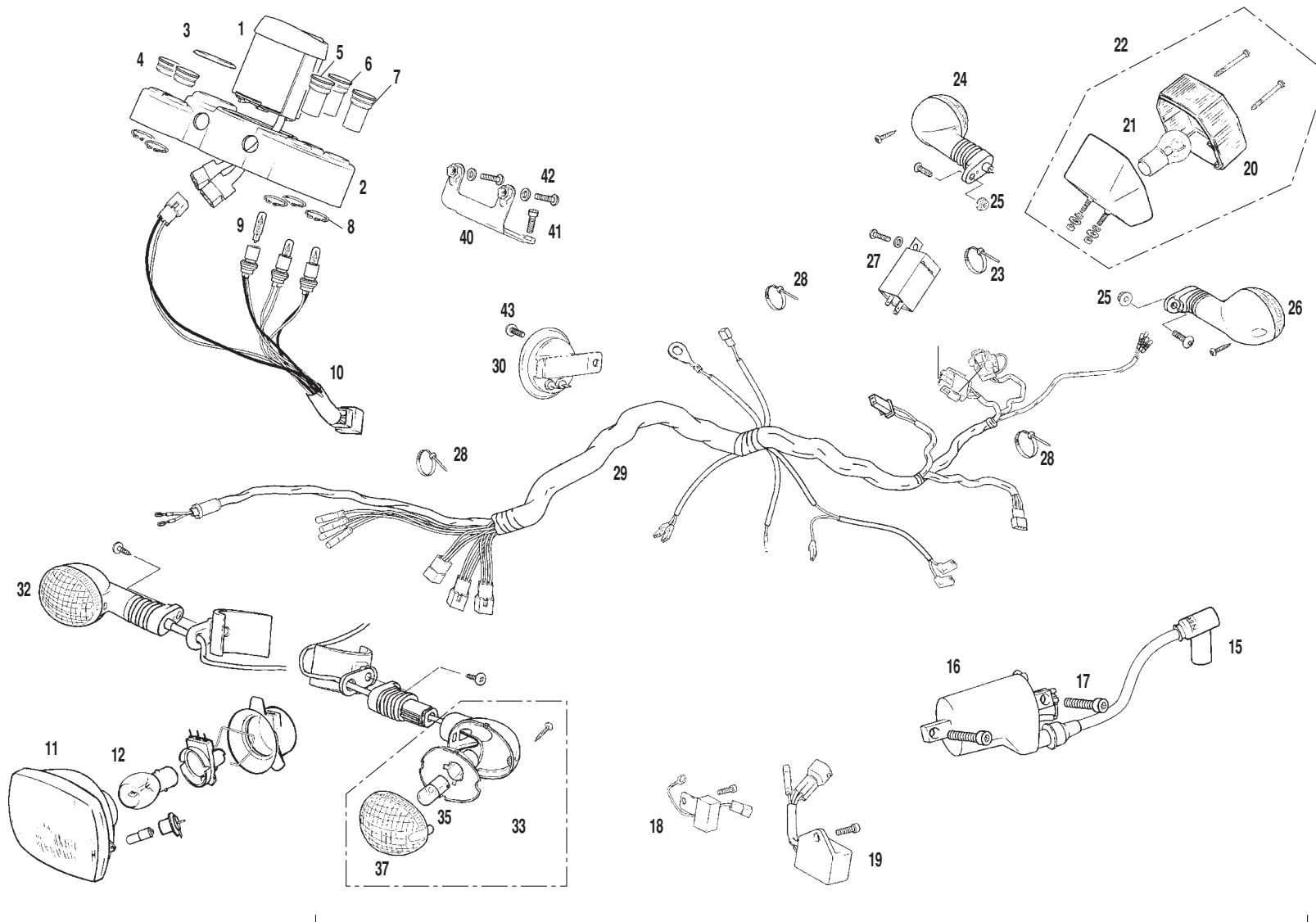




N°	DESCRIPCION / DESCRIPTION	125 / 250 / 280 c.c.	Cant.
1	TUBERA ADMISION 250-270-280 / ADMISSION CONNECTING	M01615004	1
2	ABRAZADERA COBRA / COBRA CLAMP	B640000	1
3	CAJA FILTRO EC 50 / AIR FILTER BOX EC 50	BIE500128015	1
4	TORNILLO PHILIPS 6x15 / 6X15 PHILIPS SCREW	T0706015	2
5	DISTANCIADOR FILTRO AIRE PP / AIR FILTER SPACER PP	BP25728005	2
6	FILTRO AIRE-97 158055 / AIR FILTER-97 158055	BT27728000	1
7	TAPA CAJA FILTRO 97 / AIR FILTER COVER	BT27728010	1
8	ULS 6x16 CON ARANDELA NEGRO / BLACK 6X16 ULS WITH WASHER	T0556016N	2
9	ARANDELA PLANA 6X12X1.5 / 6X12X1.5 PLAIN WASHER	T4006012	1
10	ULS 6X10 DIRECCION / 6X10 STEERING ULS	T0506010	1
11	GOMA CAJA TAPA FILTRO / AIR FILTER BOX CAP RUBBER	BT280028019	1



N°	DESCRIPCION / DESCRIPTION	125 / 250 / 280 c.c.	Cant.
1	MULTIFUNCIÓN ENDURO EC-2001 / ENDURO MULTIFUNCTION	BE250134005	1
2	SOPORTE CTA. KM ENDUPAM / SPEEDMETER HOLDER	BEP250234045	1
3	ADHESIVO HEBO CTA. KM. / SPEED COUNTER HEBO STICKER	PU000138003	1
4	TAPON TESTIGO NEGRO / BLACK INDICATOR CAP	BE250134043	1
5	TESTIGO LUZ INTERMITENTE / INDICATOR LIGHT	BE250134036	1
6	TESTIGO LUZ POSICION EC-2001 / SHORT LIGHT INDICATOR	BE250134037	1
7	TESTIGO LUZ LARGA EC-2001 / LONG LIGHT INDICATOR	BE250134038	1
8	CLIP TESTIGO / LIGHT CLIP	BE250134042	5
9	BOMBILLA 12V1,2-9W / BULB 12V1.2-9W	L300123	4
10	CABLEADO CTA. KM. / SPEED COUNTER	BE250134023	2
11	OPTICA NORMAL 307.10 / STANDARD OPTIC	BE25620024	1
12	BOMBILLA 12V45-45W / BULB 12V45-45W	L300124	1
15	PIPA BUJIA / SPARK PLUG CAP	BE25934000	1
16	BOBINA KOKUSAN IG 3988 / KOKUSAN IGNITION COIL	ME25634006	1
17	ALLEN 6X20 / 6X20 ALLEN BOLT	T0306020	1
18	REGULADOR ALTERNADOR 415 C / ALTERNATOR REGULATOR	L300031	1
19	CDI KOKUSAN CU2538 / KOKUSAN CDI	M02812103	1
20	CRISTAL FARO TRASERO / REAR LIGHT CAP	BP25734115	1
21	BOMBILLA 12V5-21W / BULB 12V5-21W	L300116	1
22	FARO PILOTO PP 250-97 / PILOT LIGHT	BP25734015	1
23	BRIDA UNEX CORTA 2221-0 2.5X98 / SHORT UNEX CLAMP	BE25634010	1
24	INTERMITENTE IZQUIERDO TRASERO / LEFT REAR INDICATOR LIGHT	L300736	1
25	TUERCA D.12 PAS 125 (INTER.) / M12 NUT	L300733	1
26	INTERMITENTE DERECHO TRASERO / RIGHT REAR INDICATOR LIGHT	L300738	1
27	CAJA INTERMITENCIAS / INDICATION BOX	L300720	1
28	BRIDA UNEX 2244 4.8X20 / 2244 4.8X20 UNEX CLAMP	BE25634009	3
29	CABLEADO ENDUPAM / WIRES SET ENDUPAM	BEP250234004	1
30	CTO. CLAXON / HORN SET	L300105	1
31	INSTALACIÓN ELECTRICA ENDUPAM / ENDUPAMP ELECTRICAL INSTALLATION	BIE500134085	1
32	INTERMITENTE DERECHO DELANTERO / RIGHT FRONT INDICATOR	L300734	1
33	INTERMITENTE IZQUIERDO DELANTERO / LEFT FRONT INDICATOR	L300735	1
35	BOMBILLA INTERMITENTE / INDICATOR BULB	BE250134036	4



N°	DESCRIPCION / DESCRIPTION	125 / 250 / 280 c.c.	Cant.
37	TAPA INTERMITENTE / INDICATOR LIGHT COVER	BE250134120	4
40	PLATINA SOPORTE MULTIFUNCION / UPPER MULTIFUNCTION SUPPORT	BEP250234045	1
41	ALLEN 5X10 / 5X10 ALLEN BOLT	T0305010	1
42	ULS 6X16 / 6X16 ULS	T0506016	2
43	ULS 6X14 CON ARANDELA / 6X14 ALLEN WITH WASHER	T0556014	1

