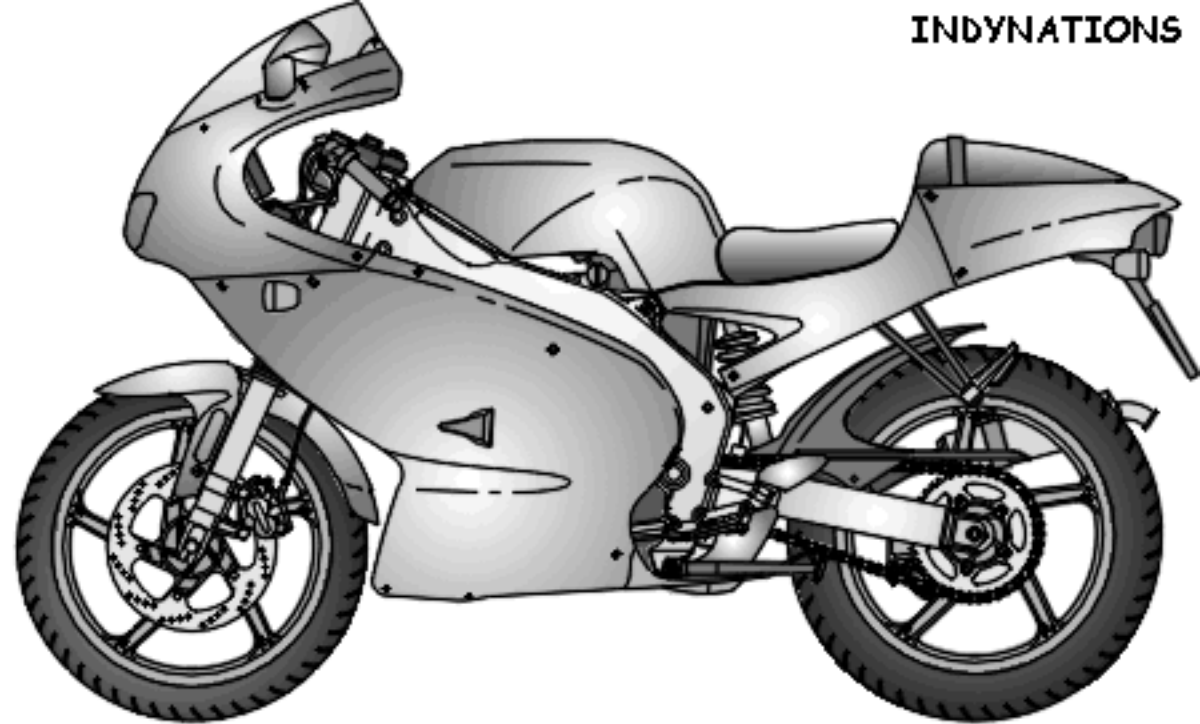
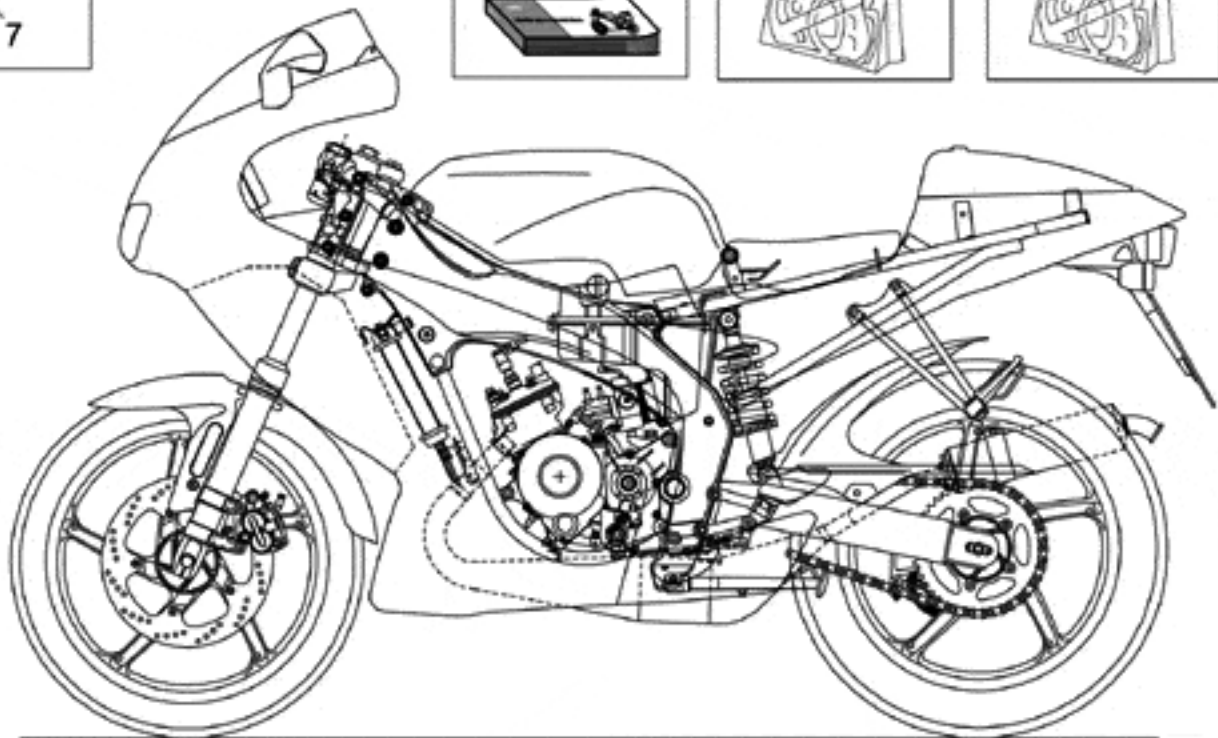
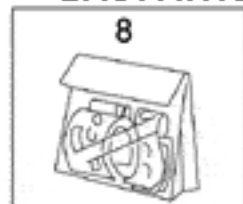
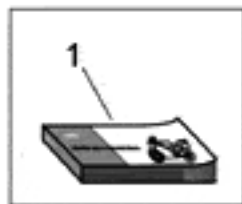
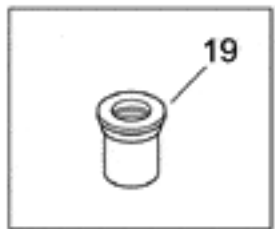
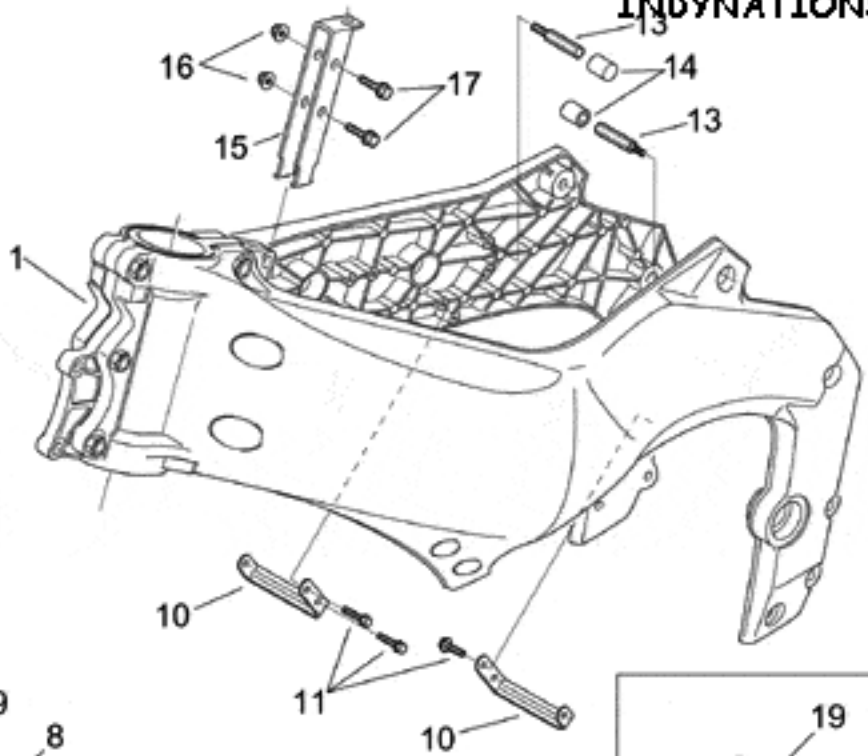
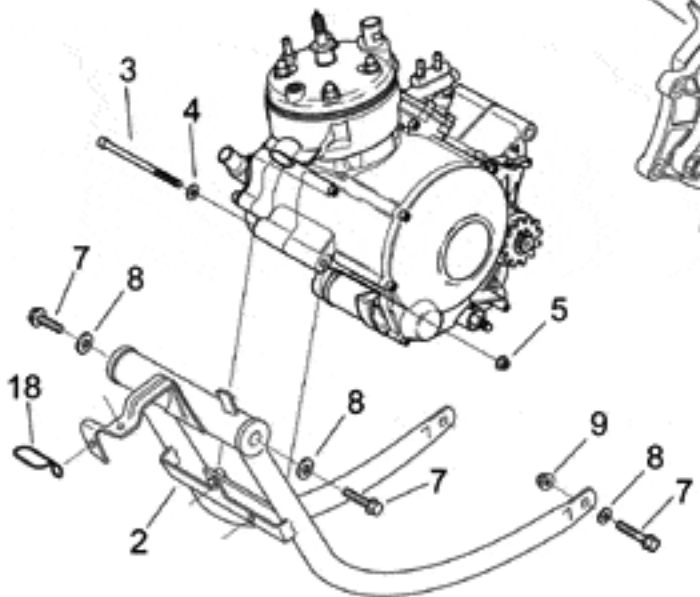
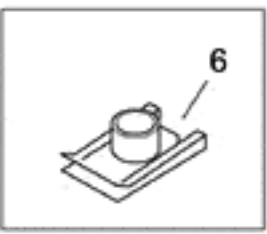
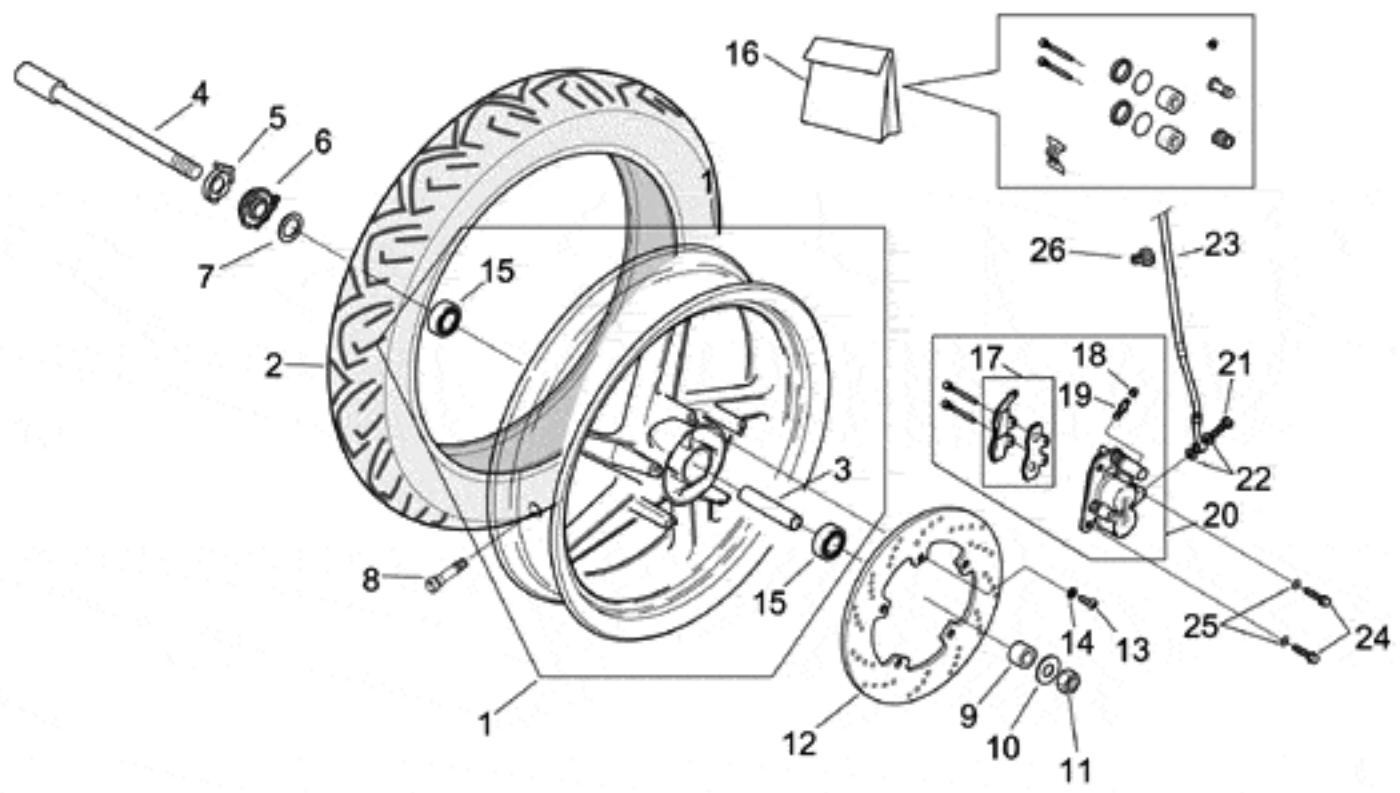


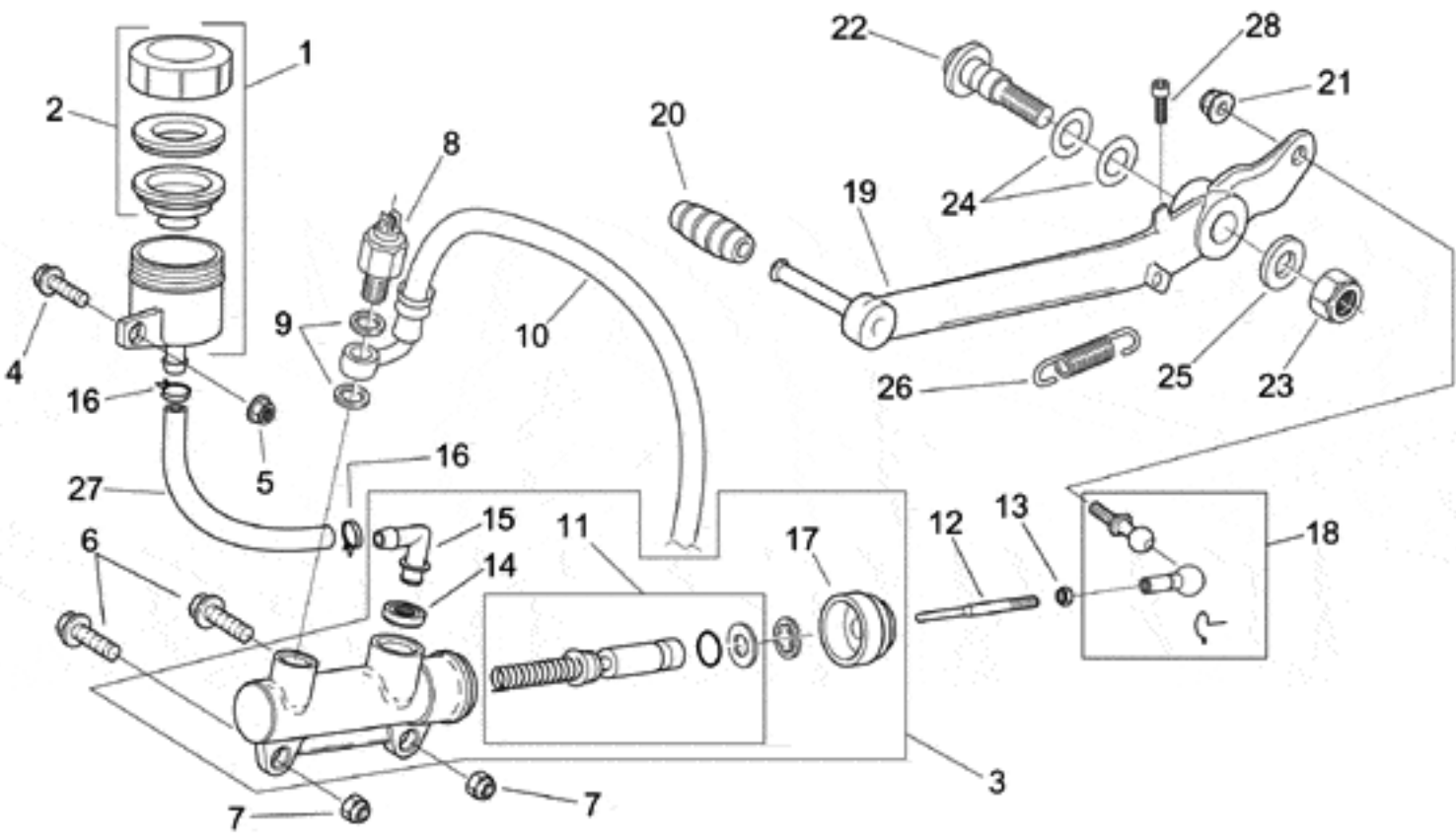
INDYNATIONS

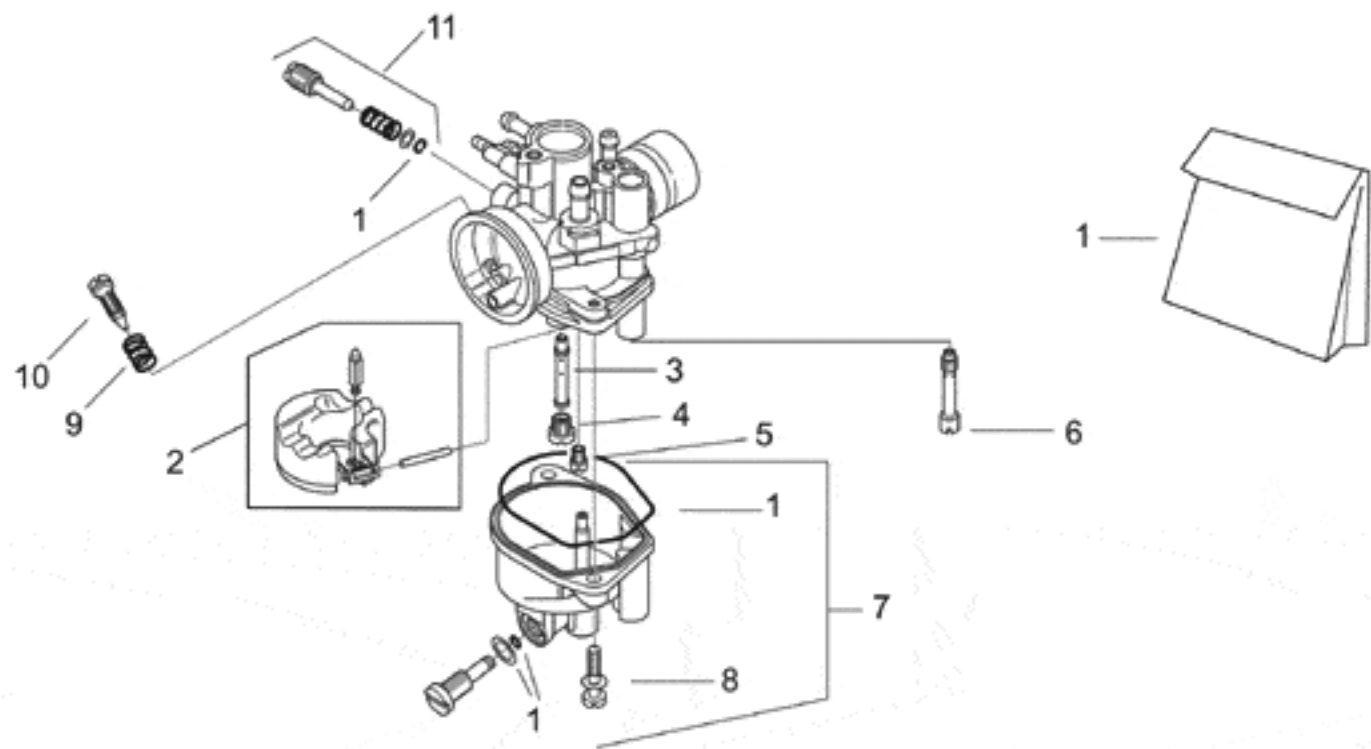


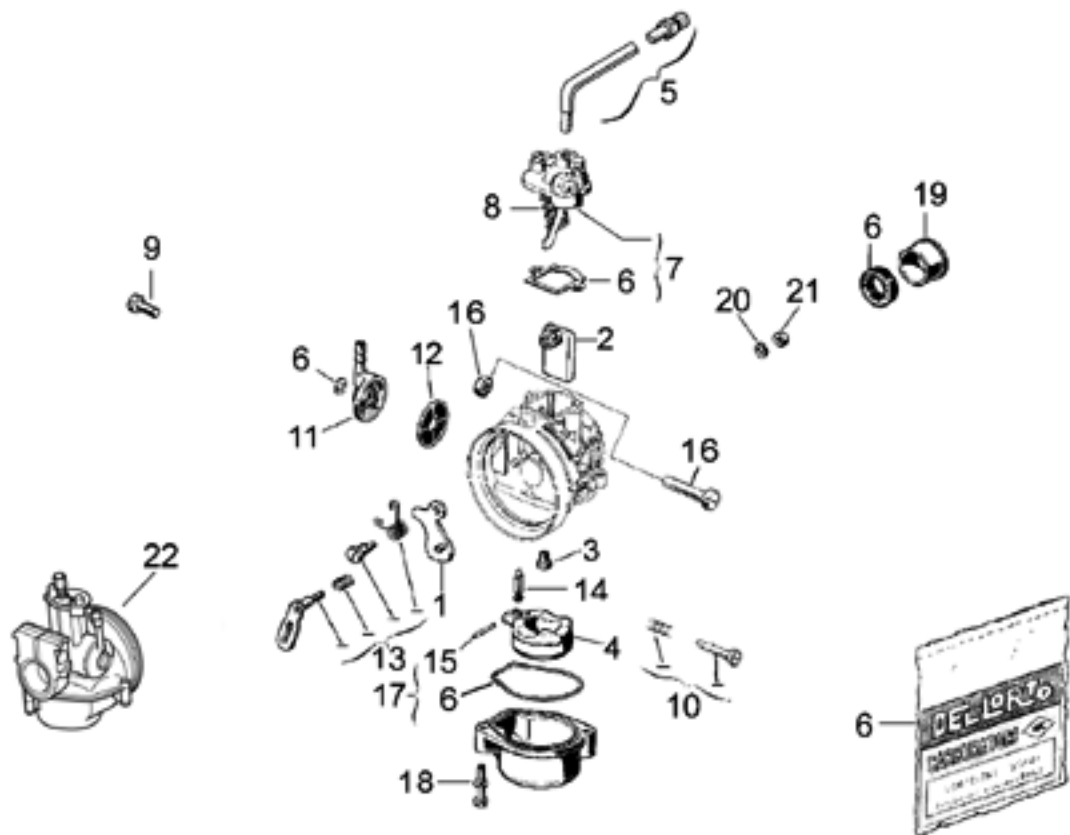


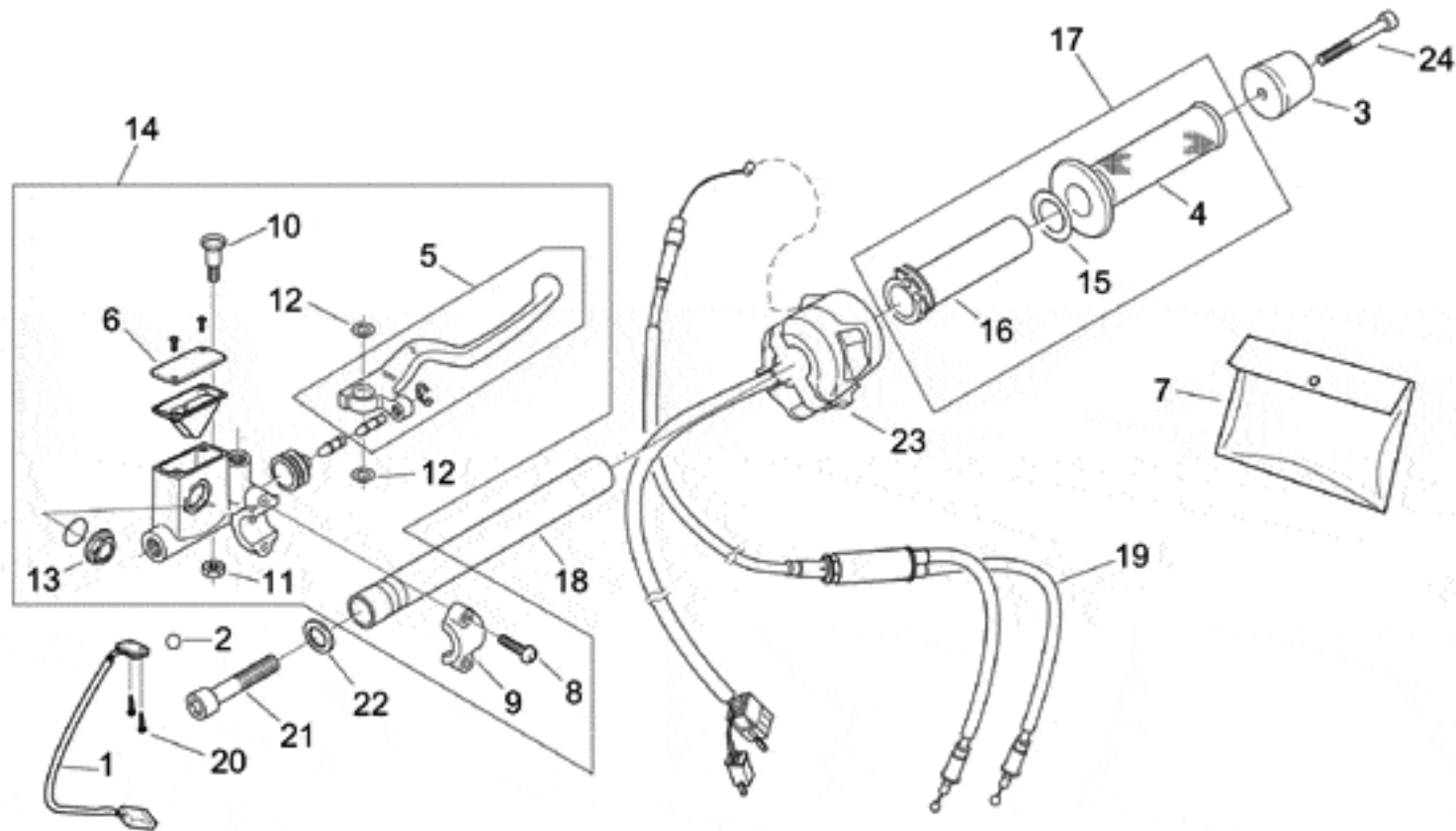










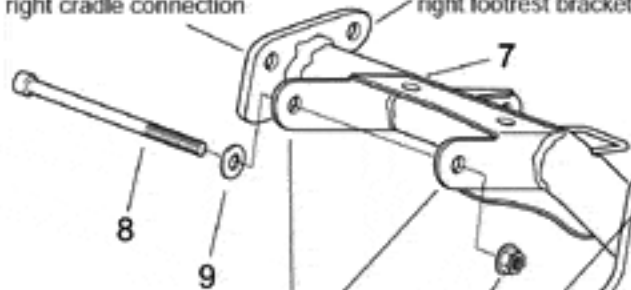


right frame connection and
right cradle connection

right frame connection and
right footrest bracket



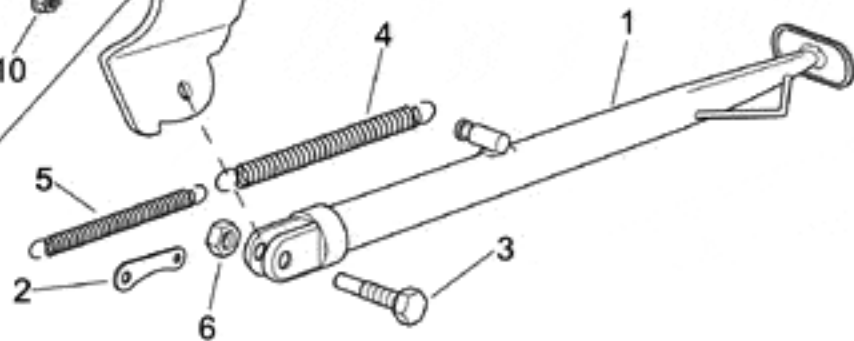
11

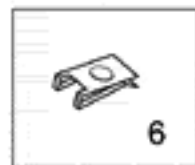
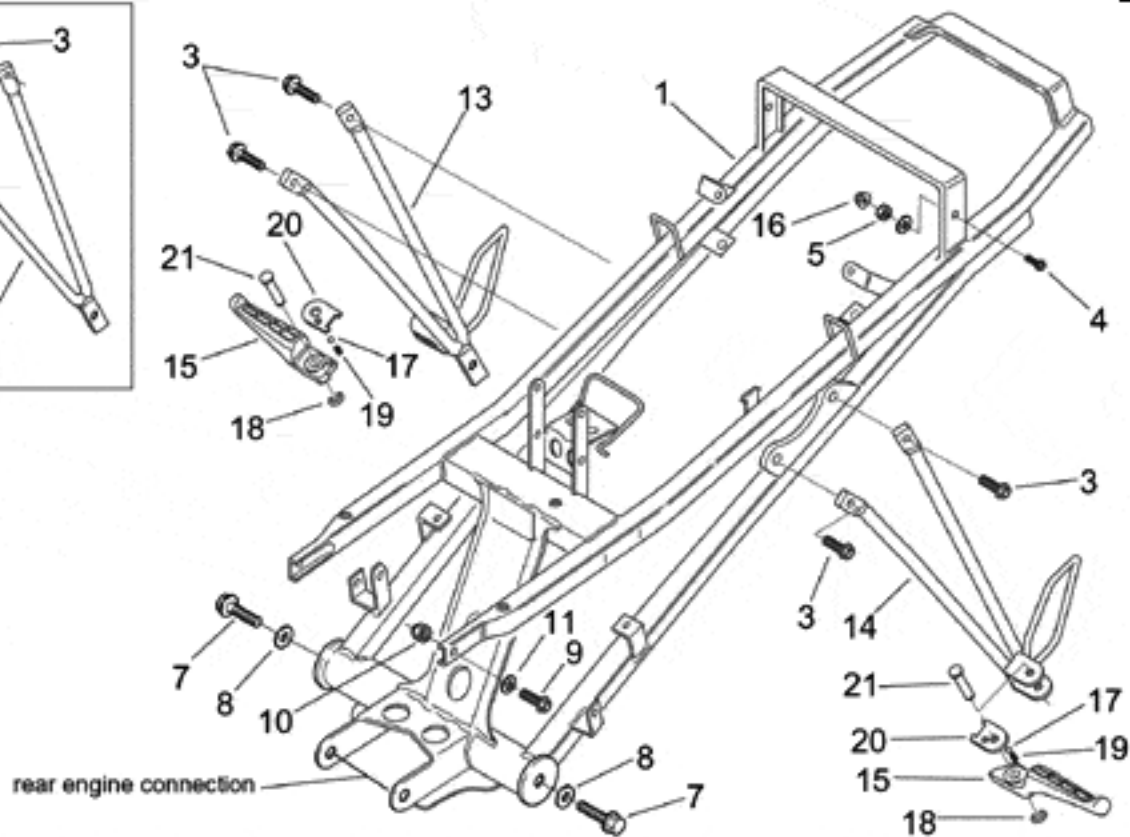
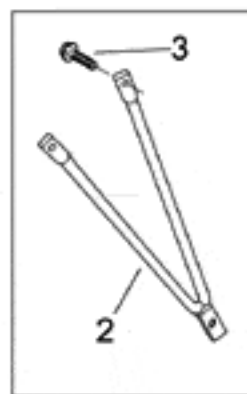


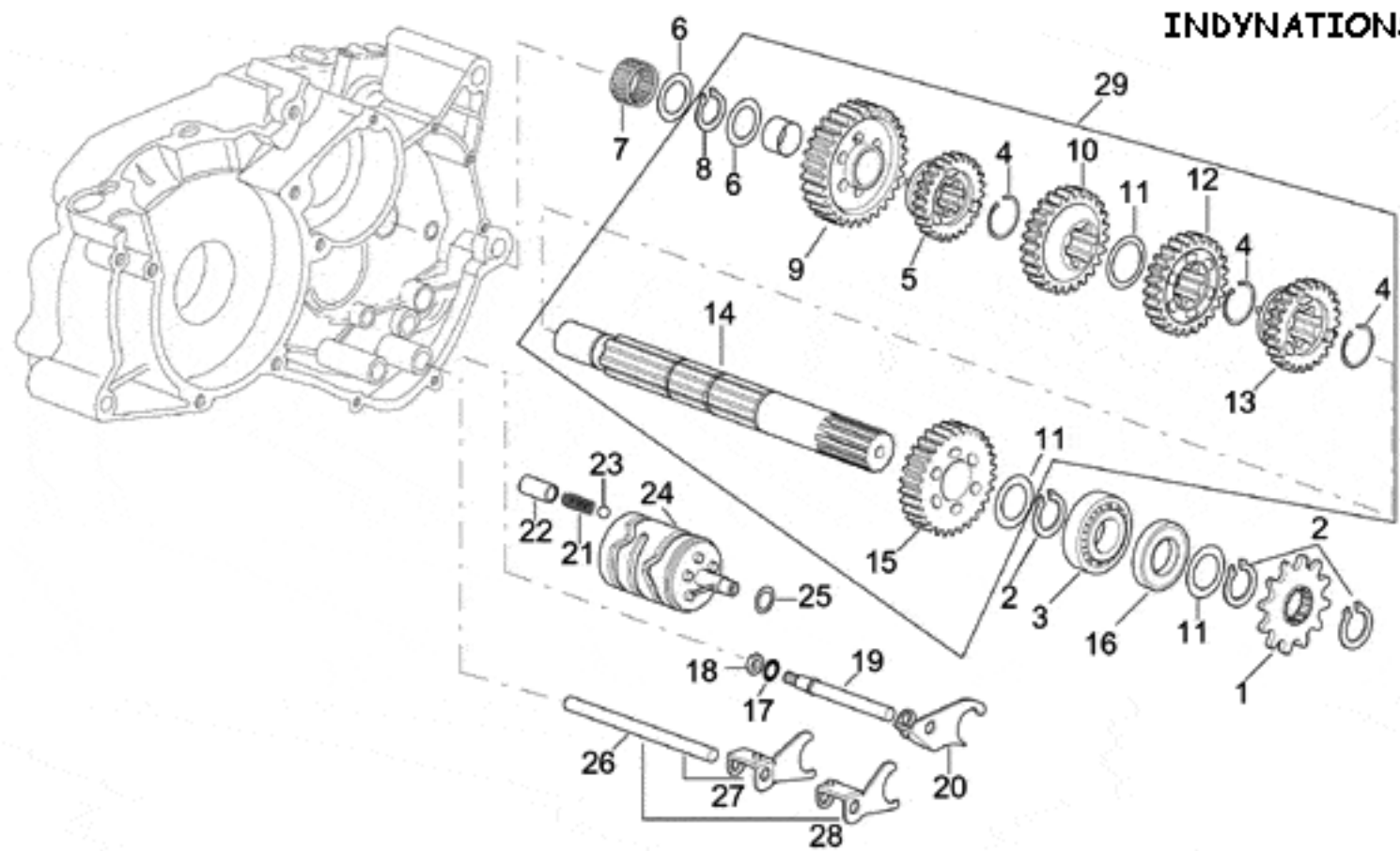
left frame connection and
left footrest bracket

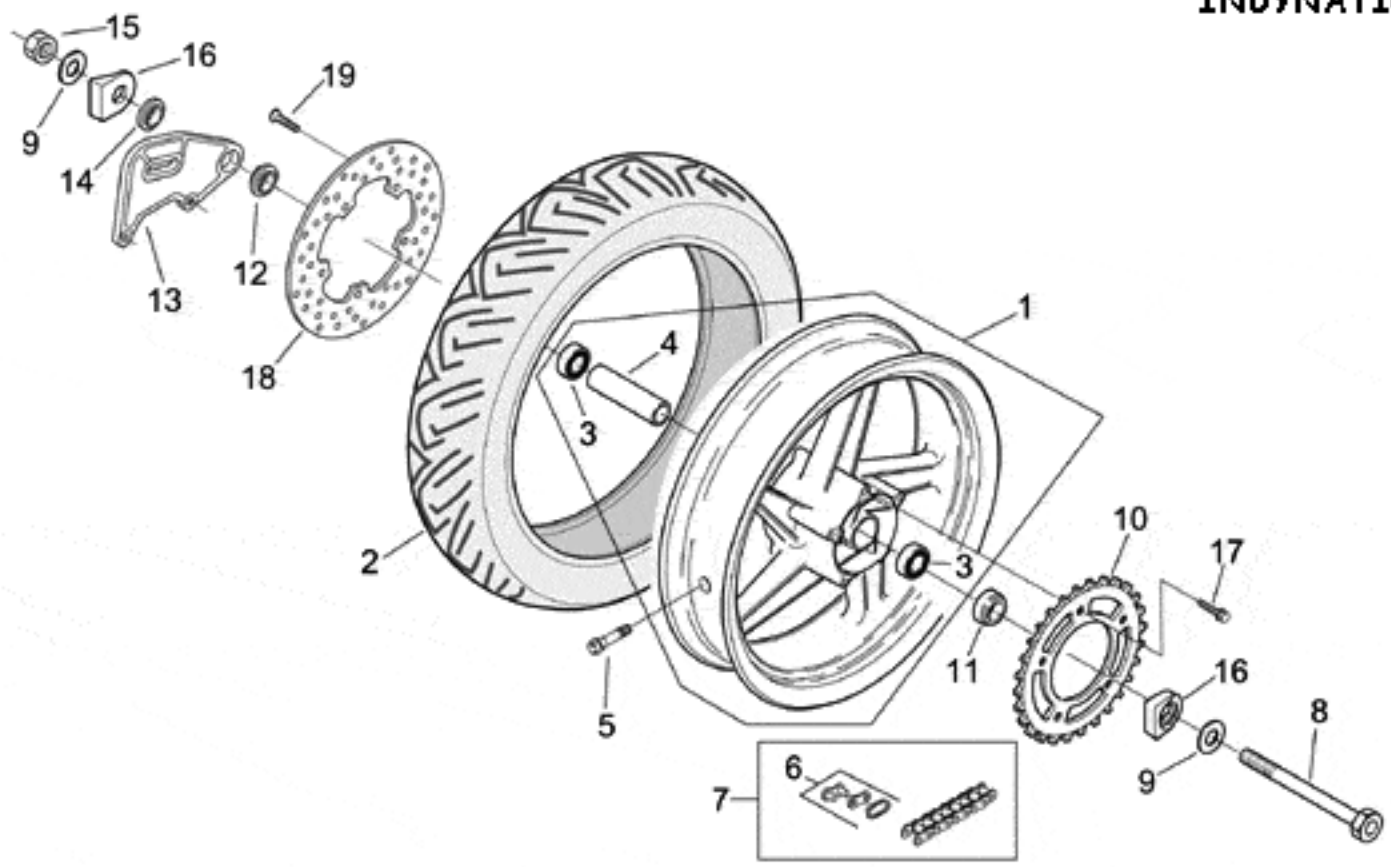
lower engine connection

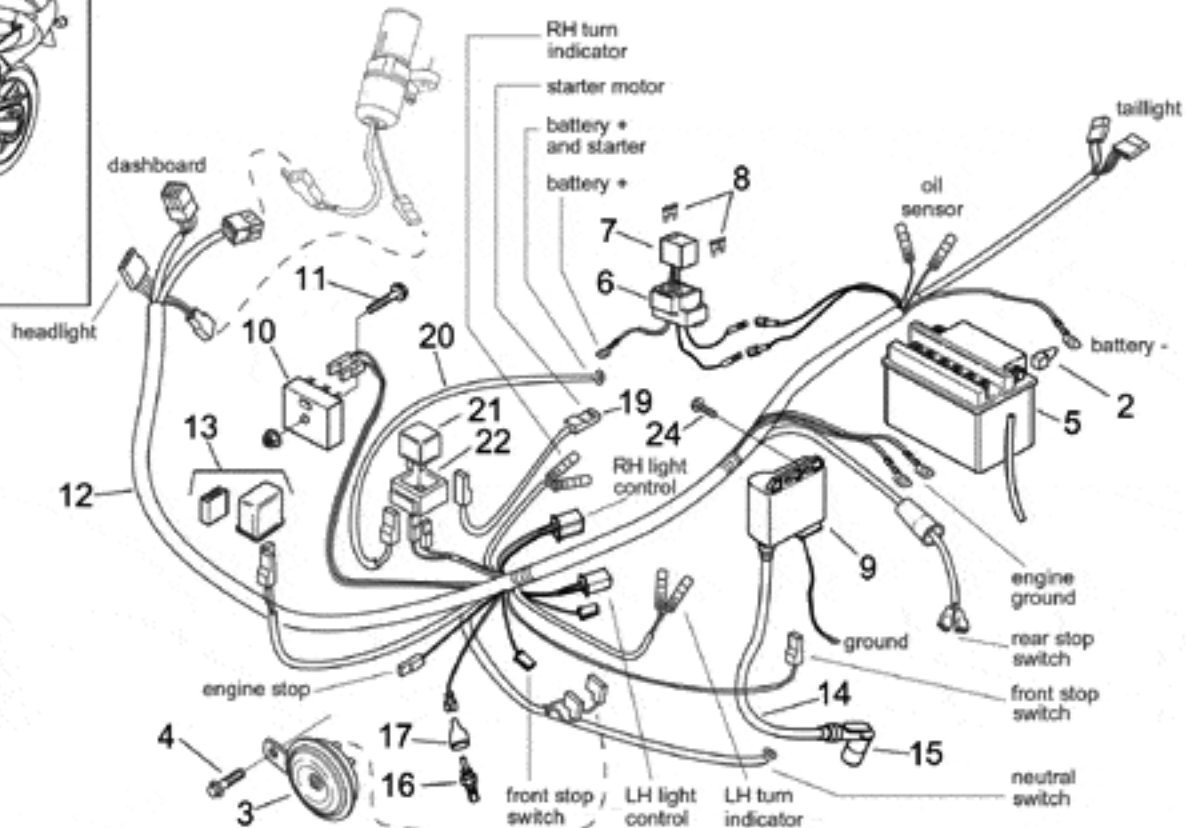
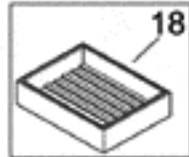
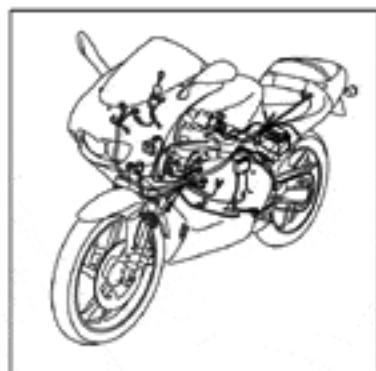
left frame connection and
left cradle connection



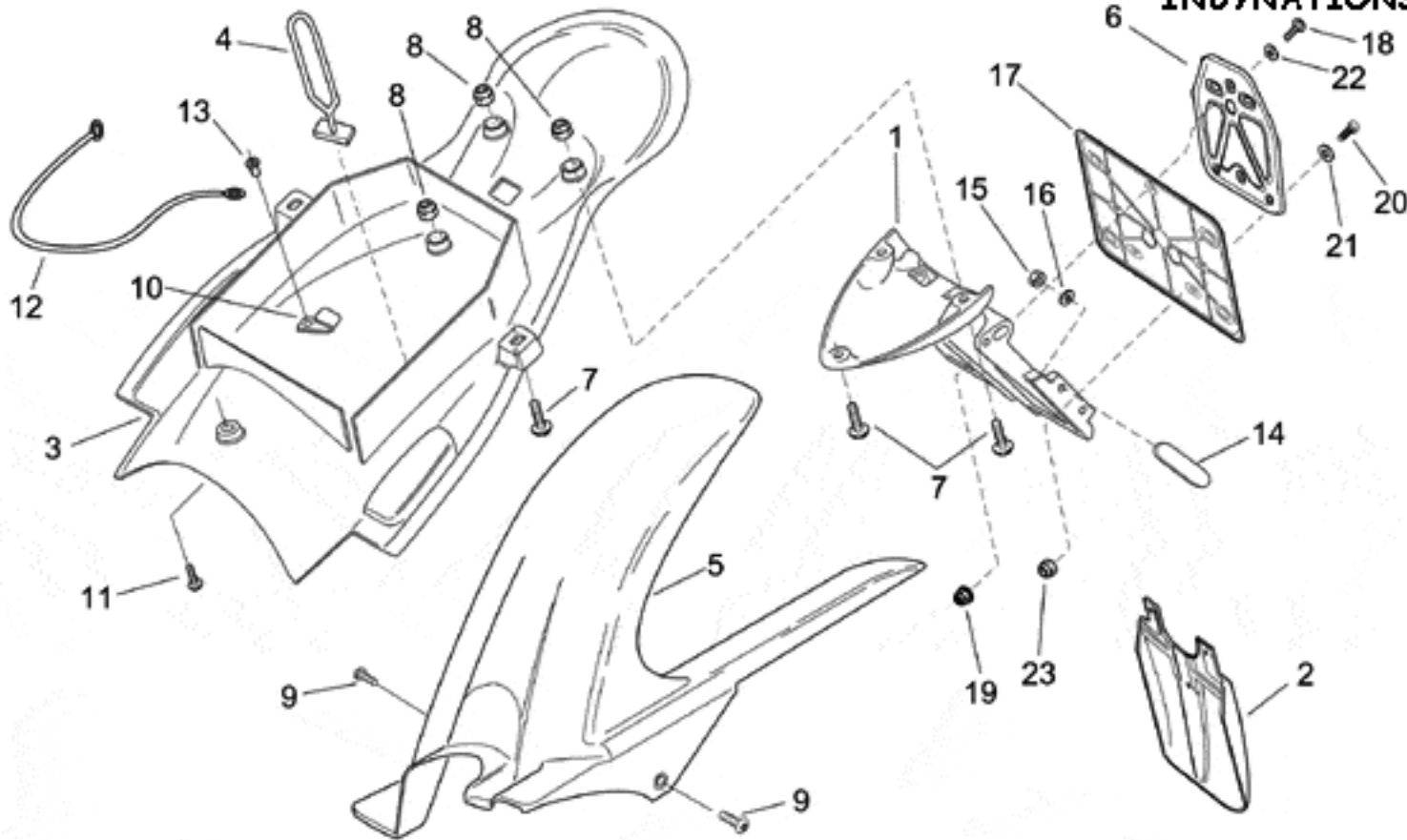


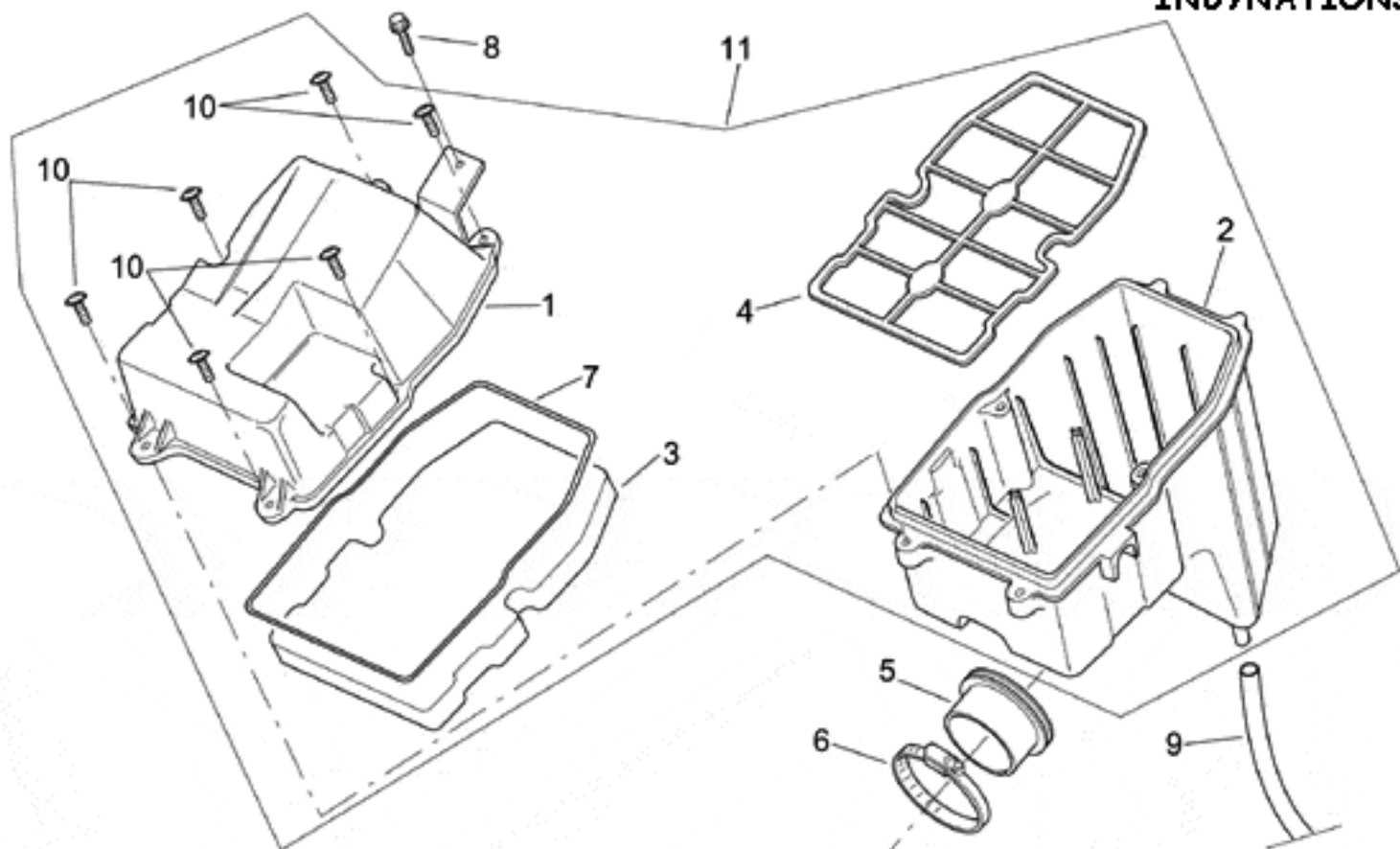


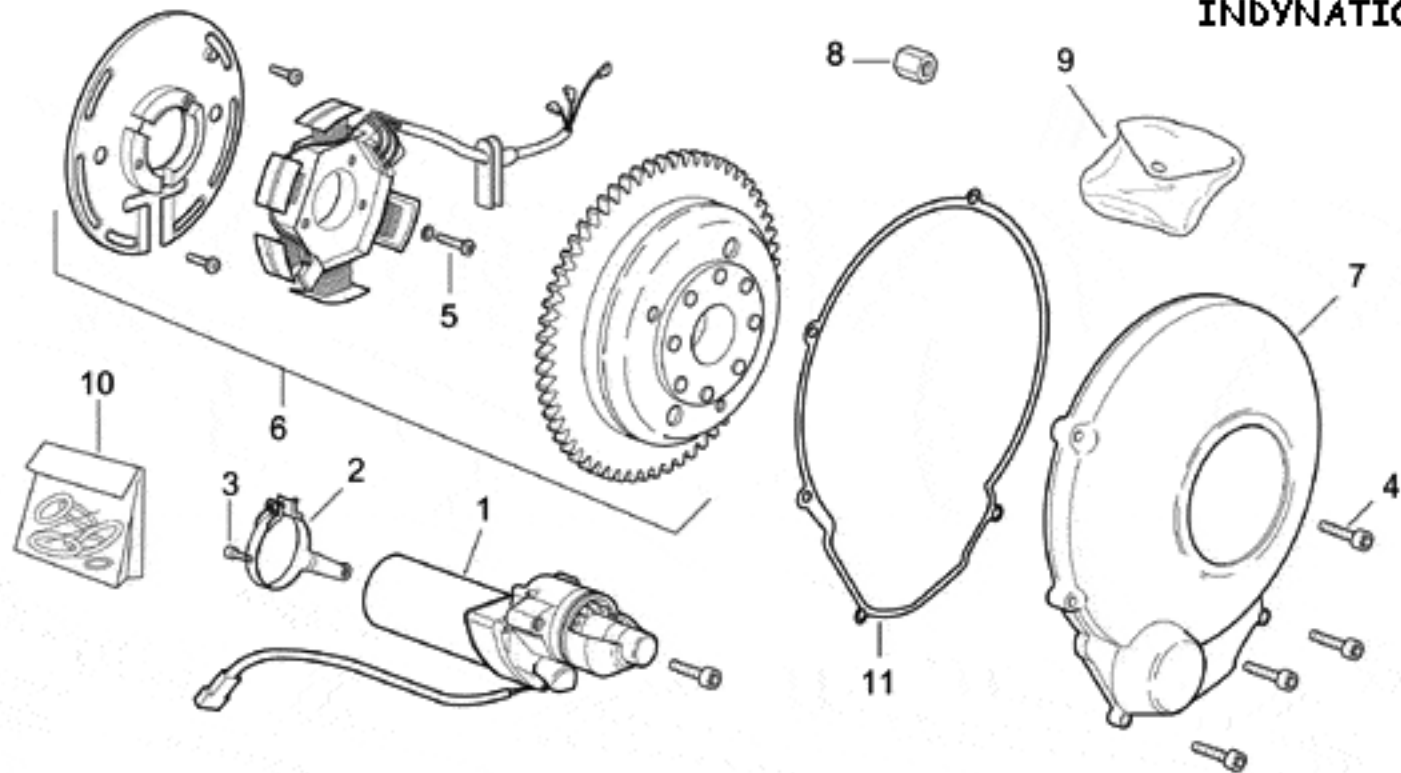


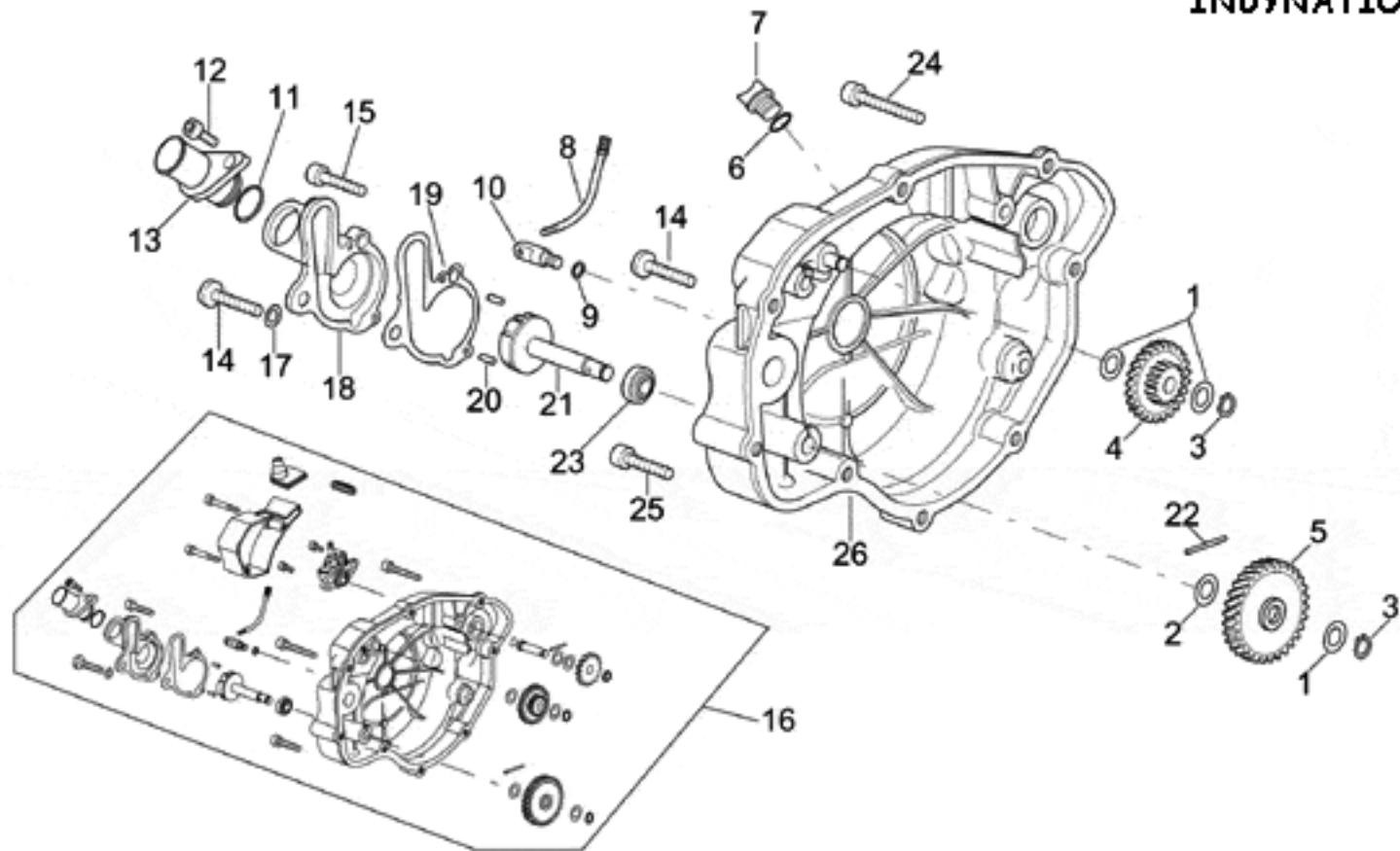


INDYNATIONS

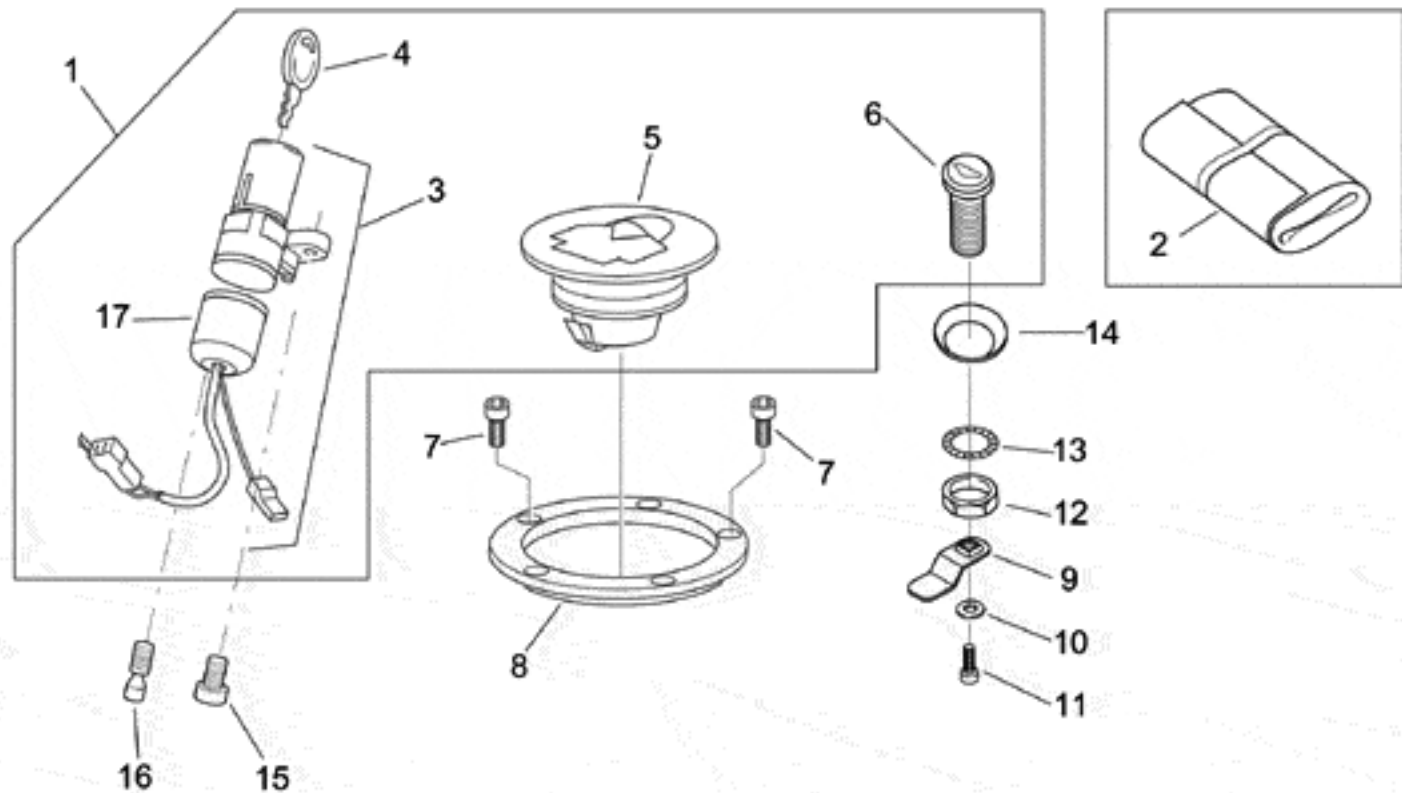


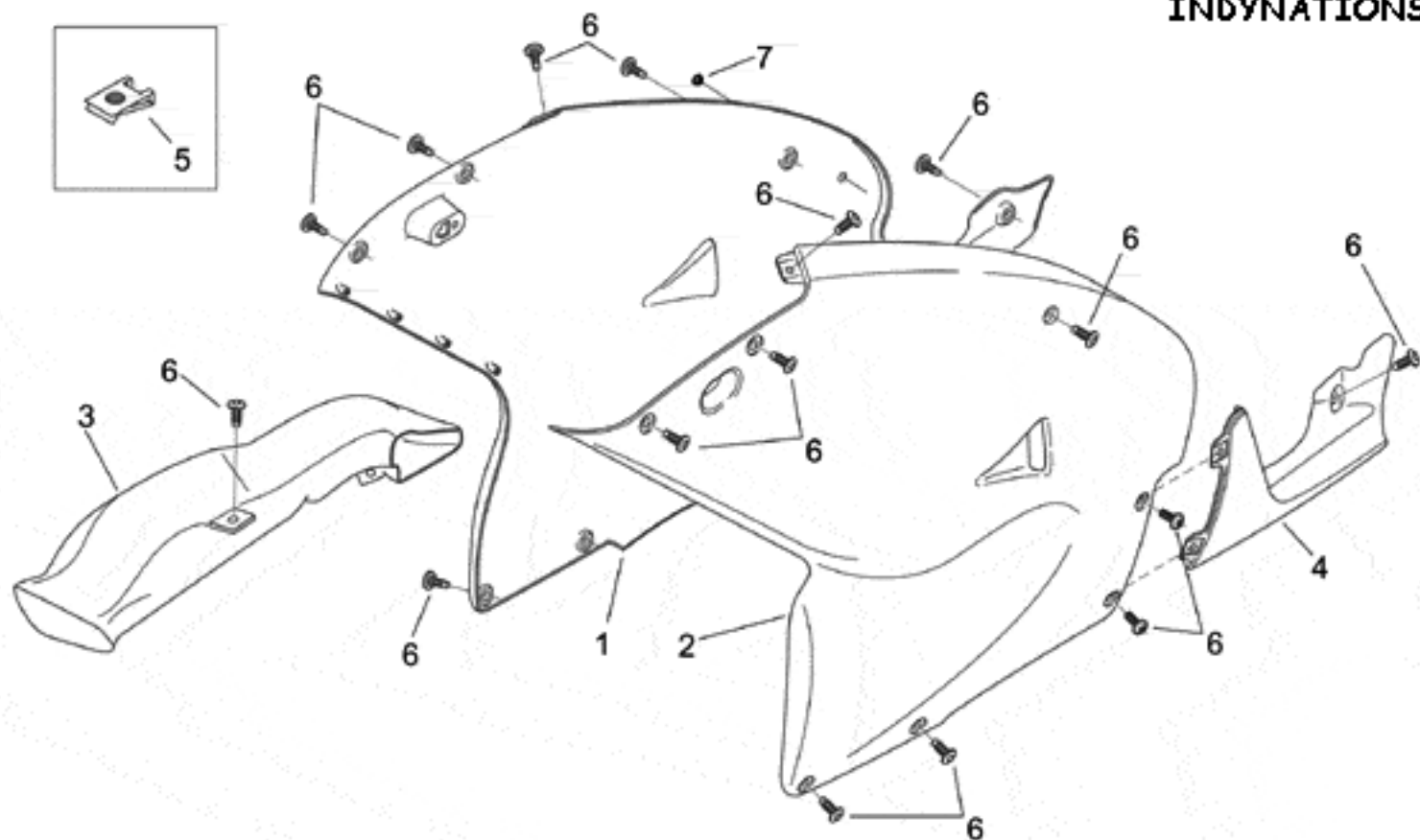


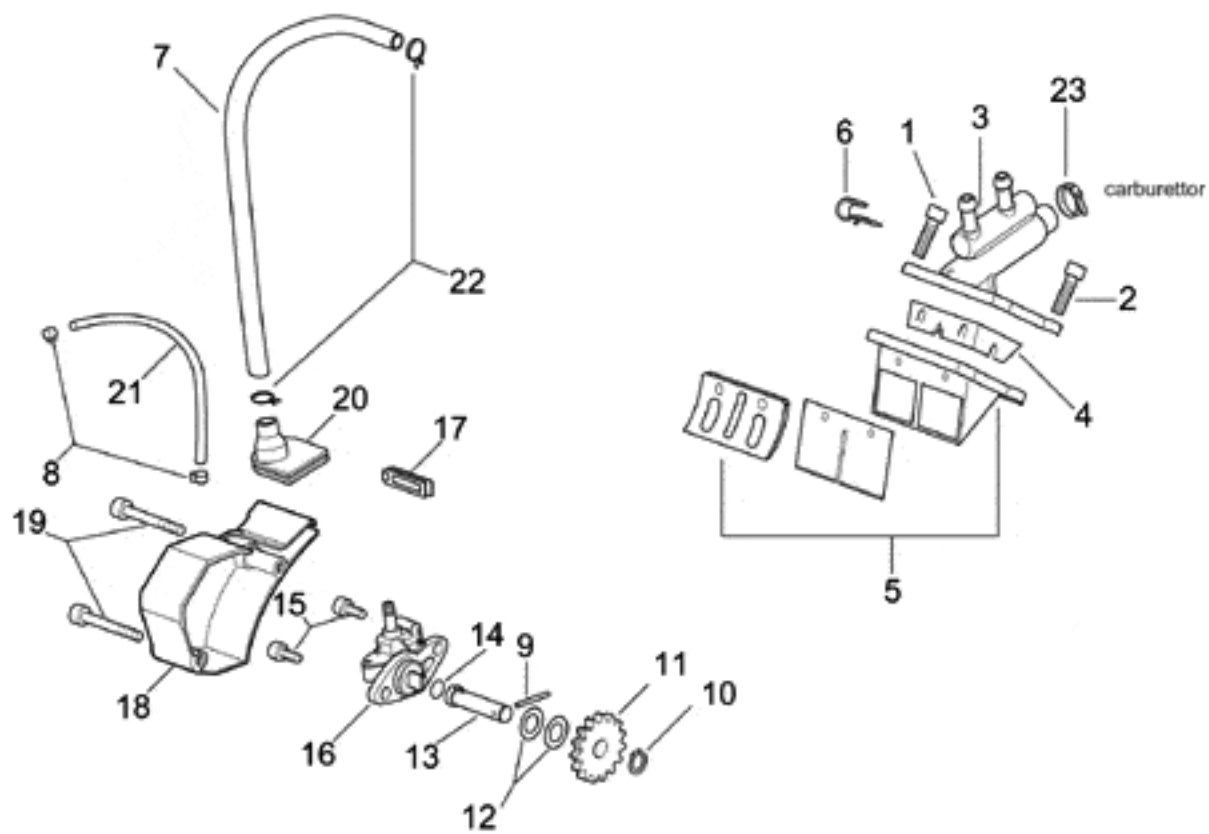


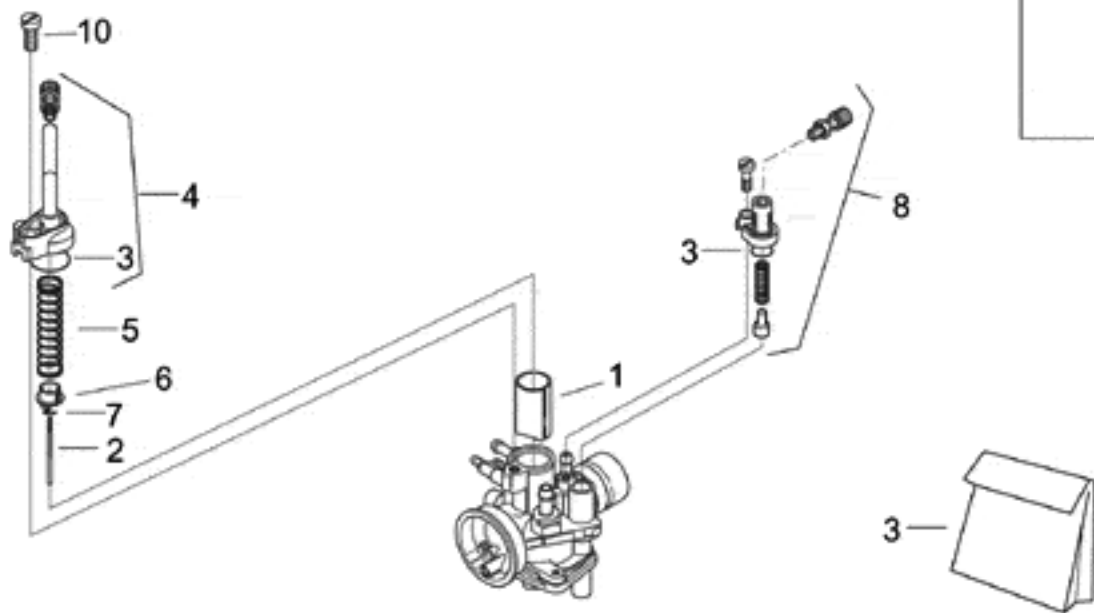


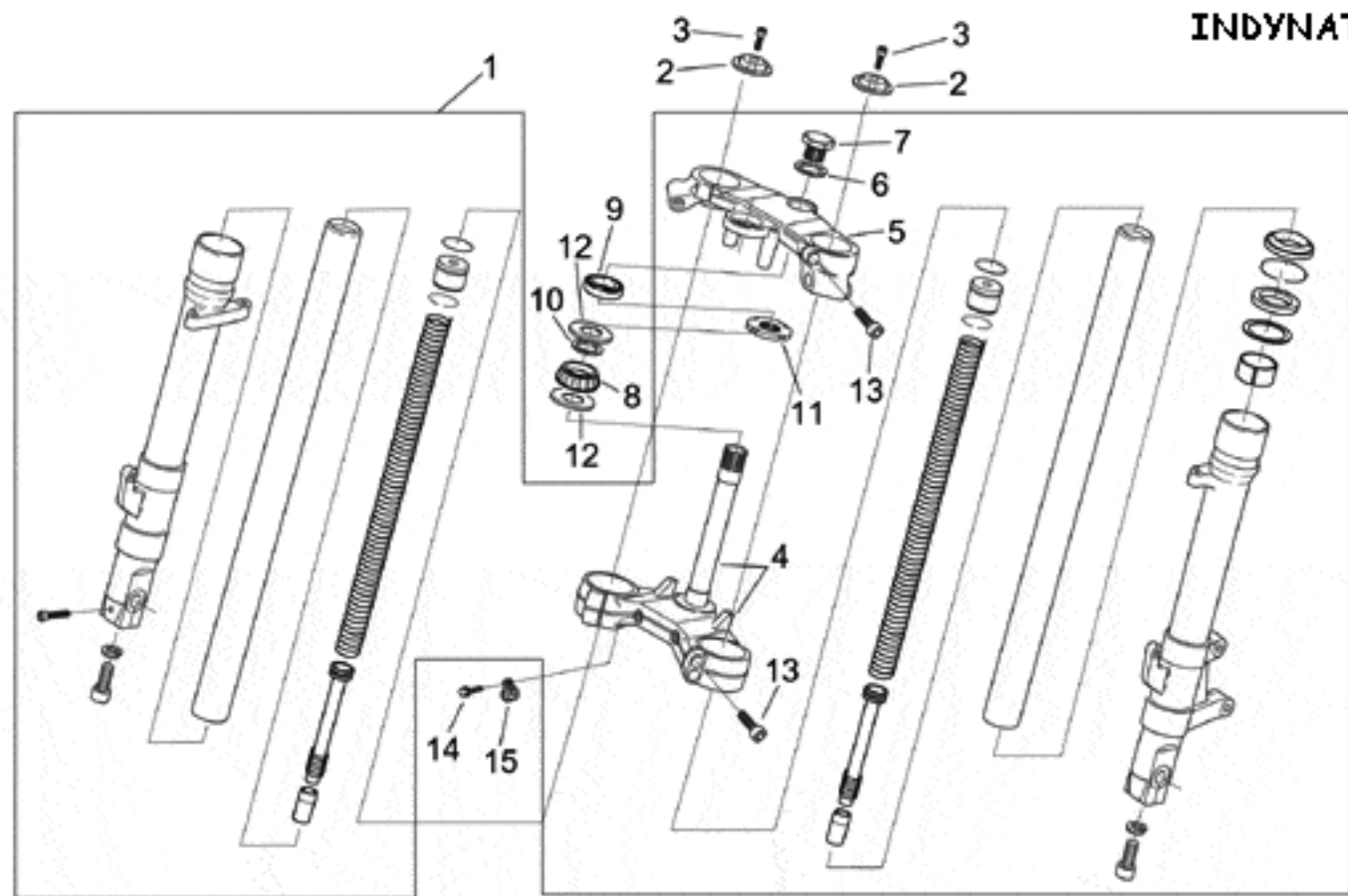
INDYNATIONS



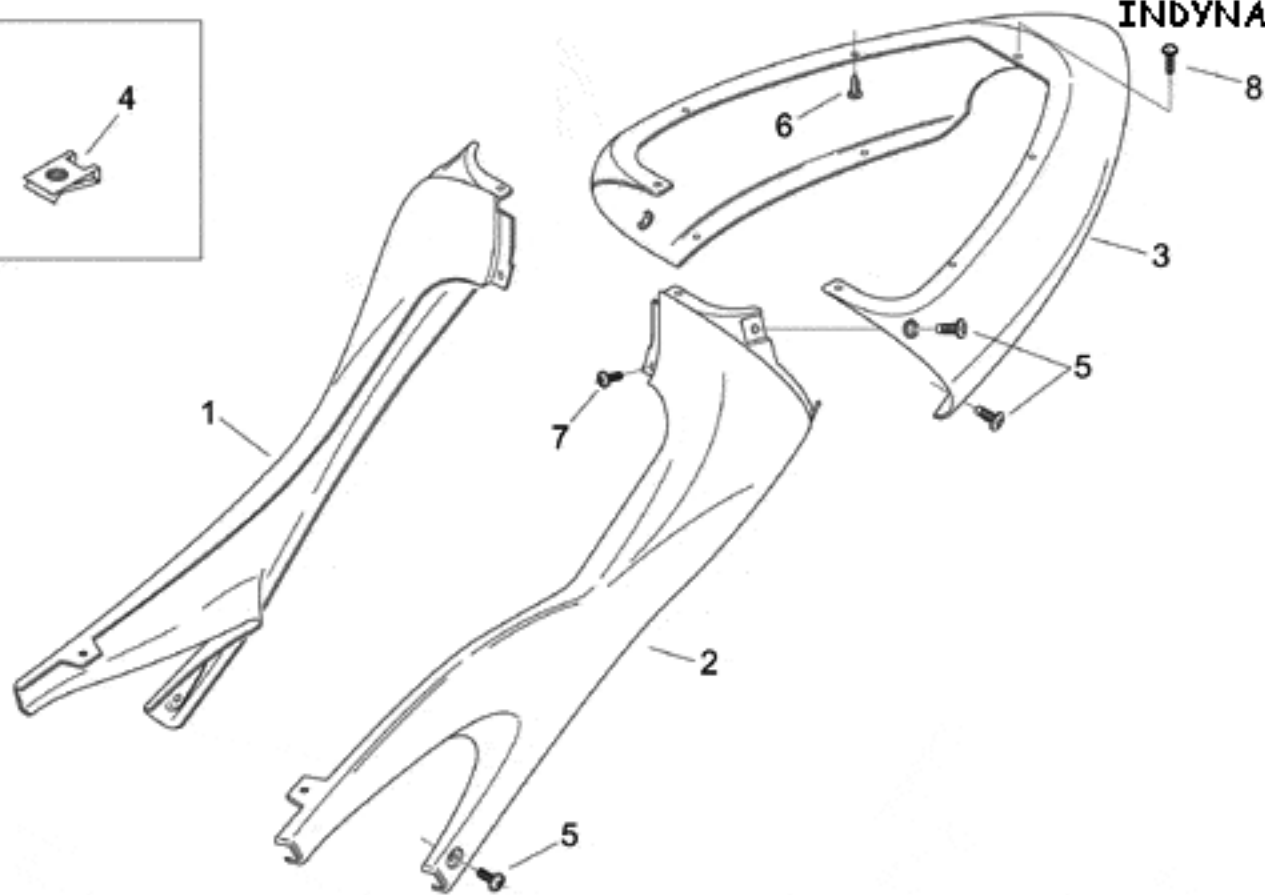
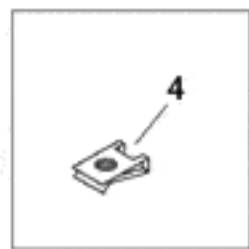


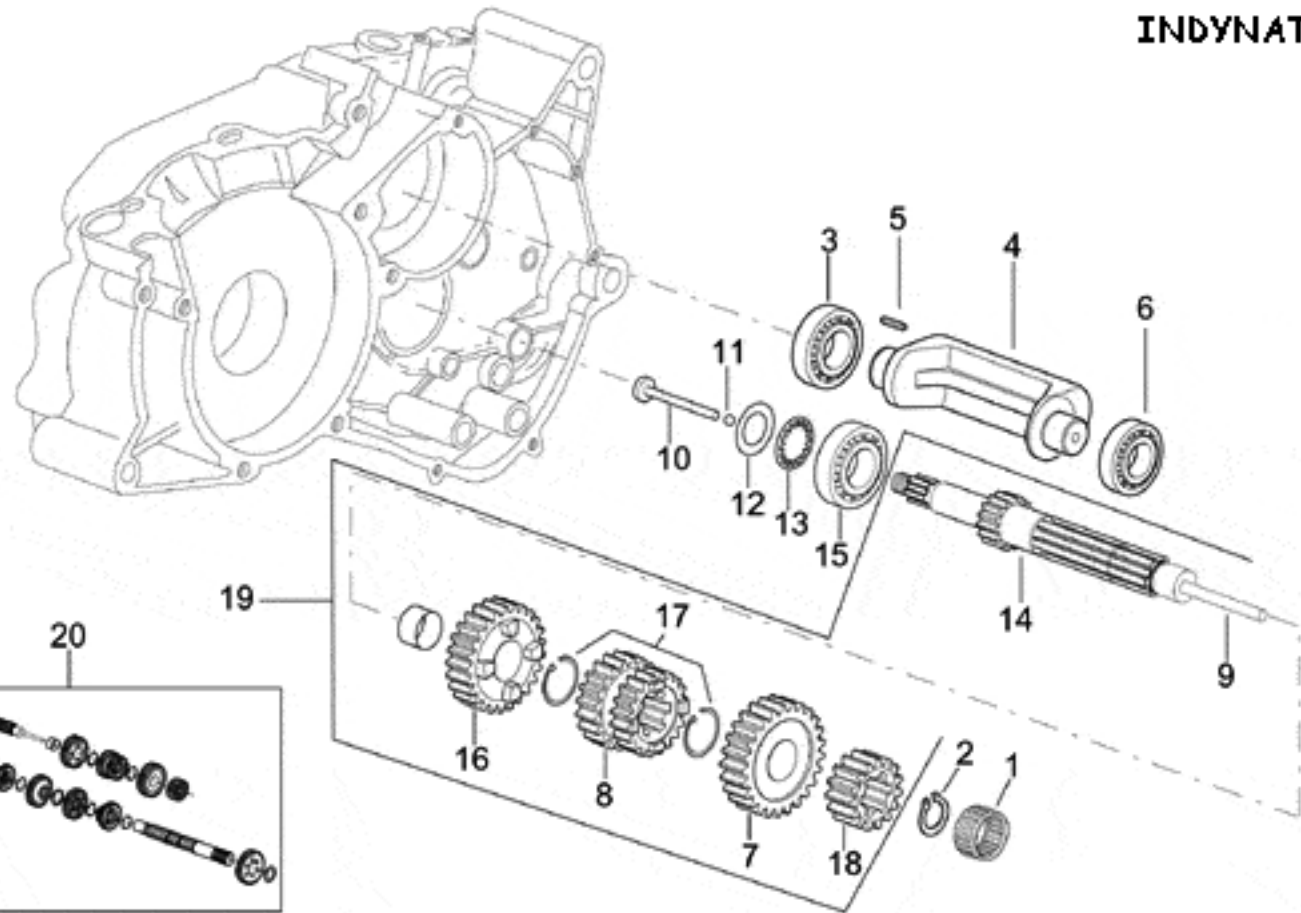


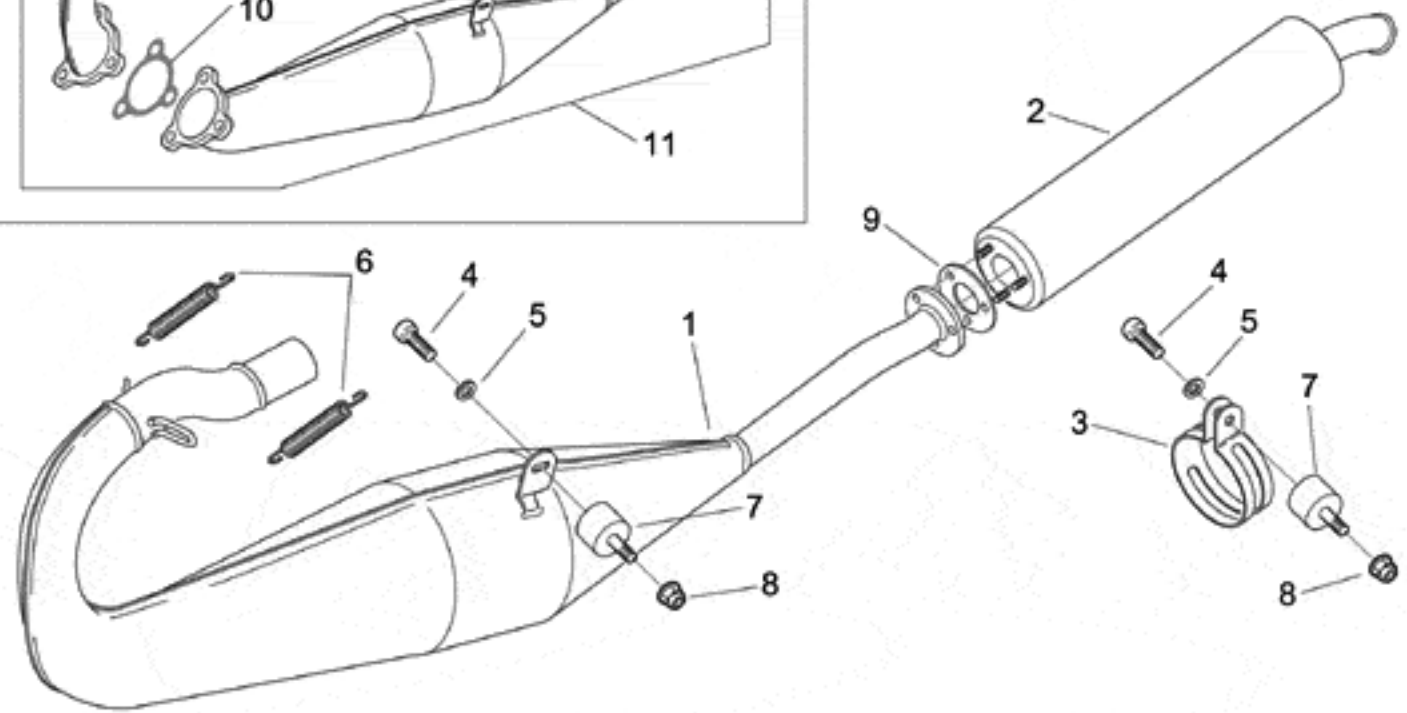
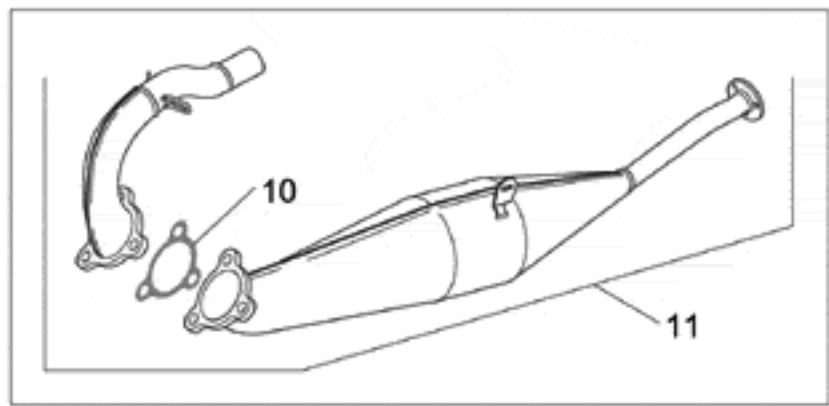


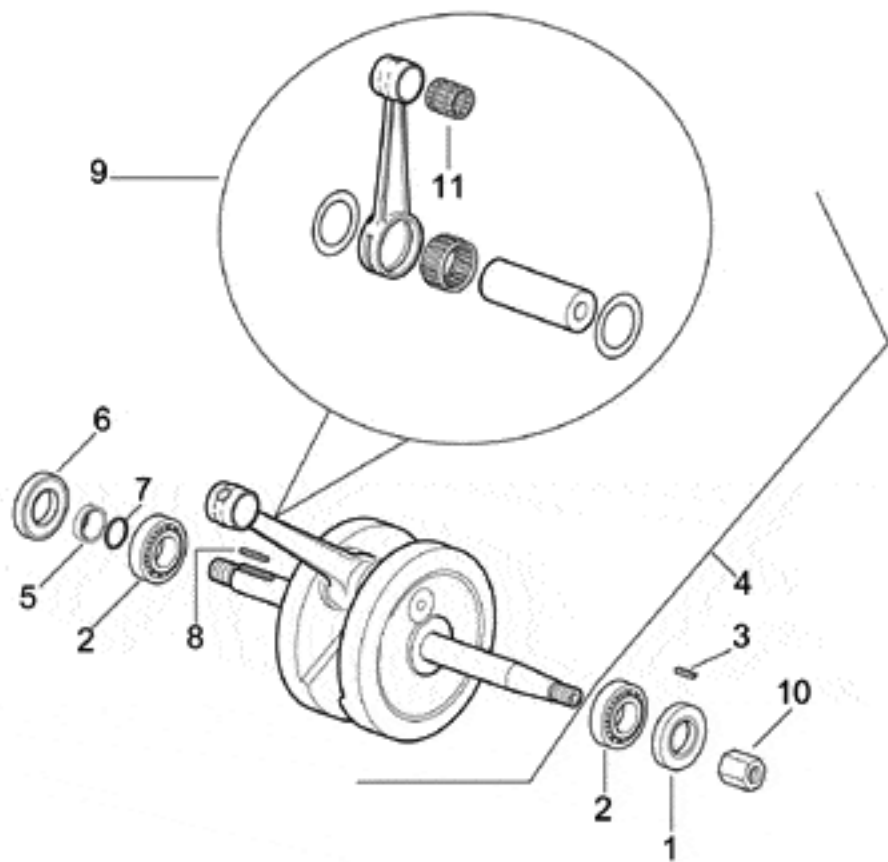


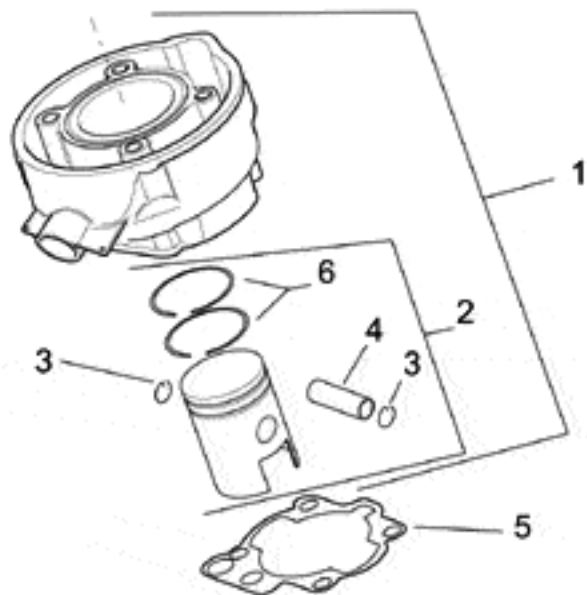
INDYNATIONS

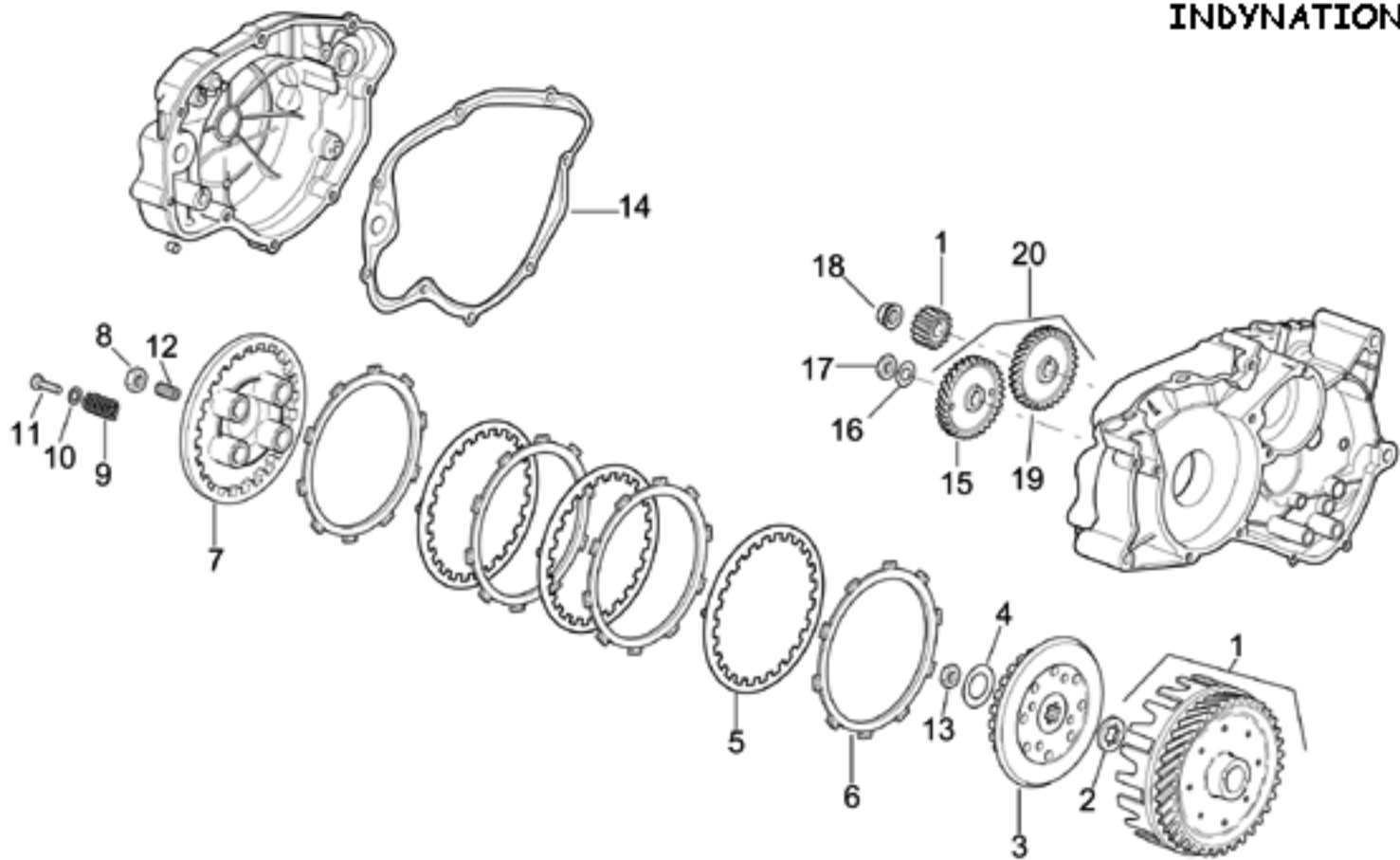


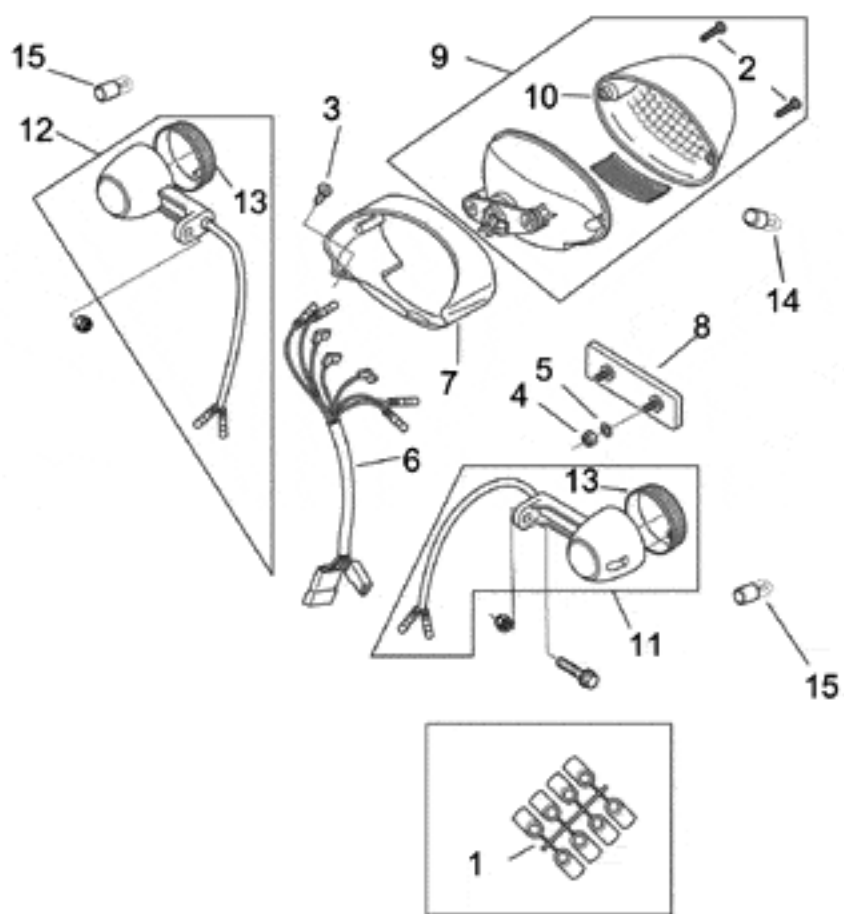


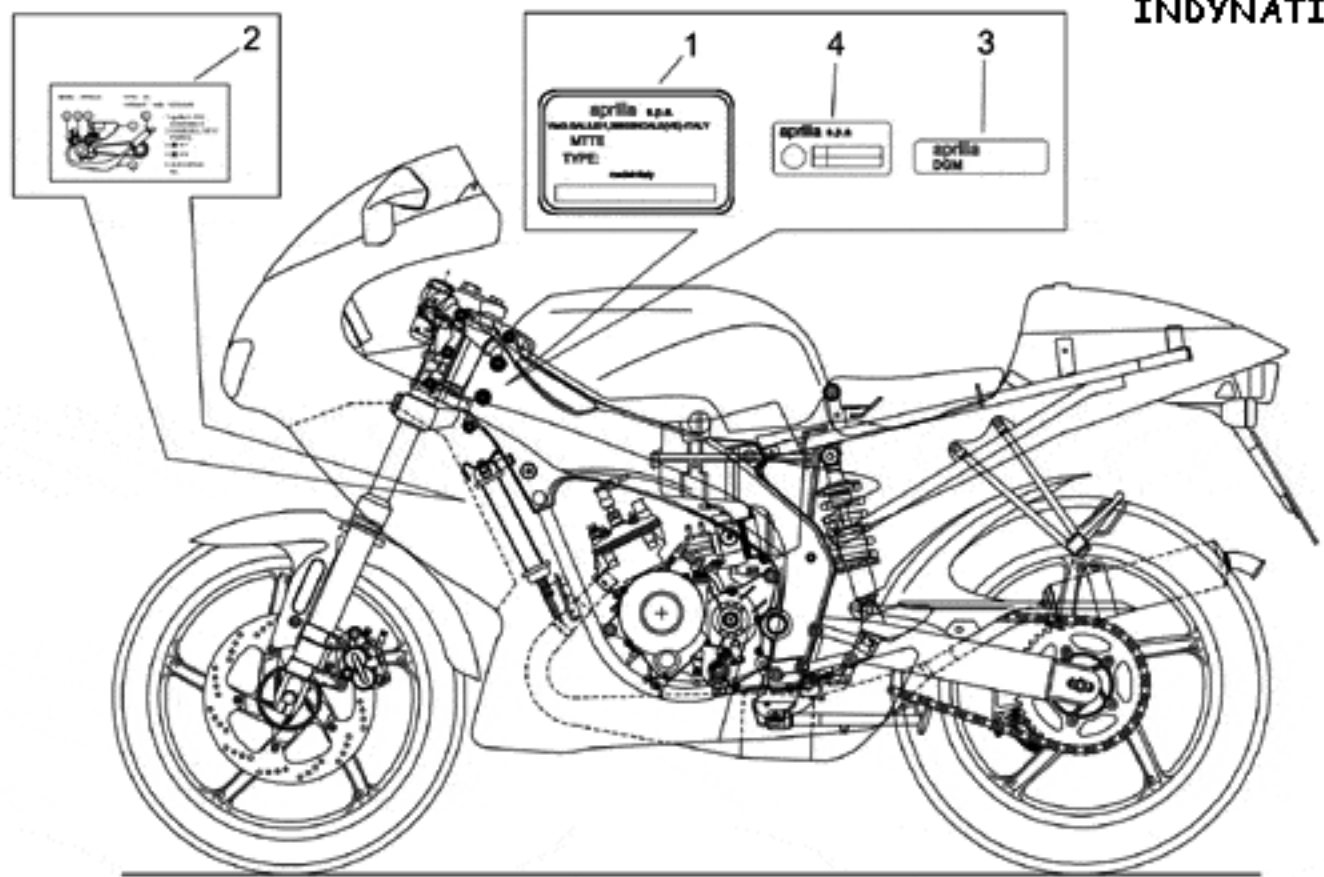


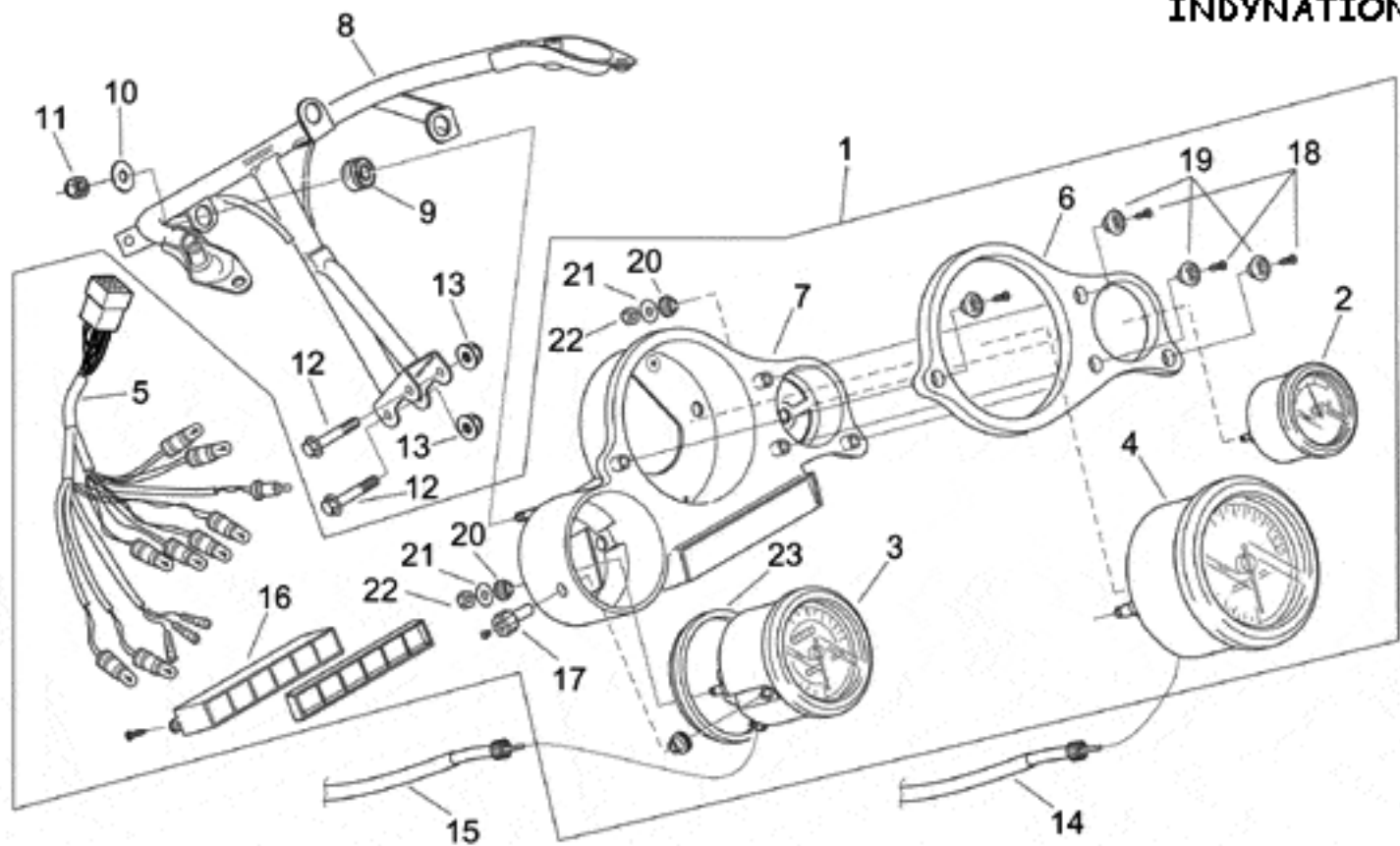


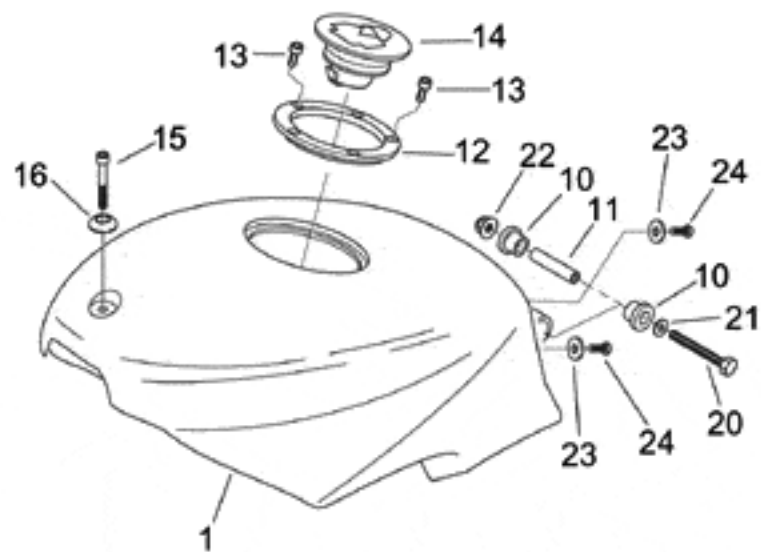
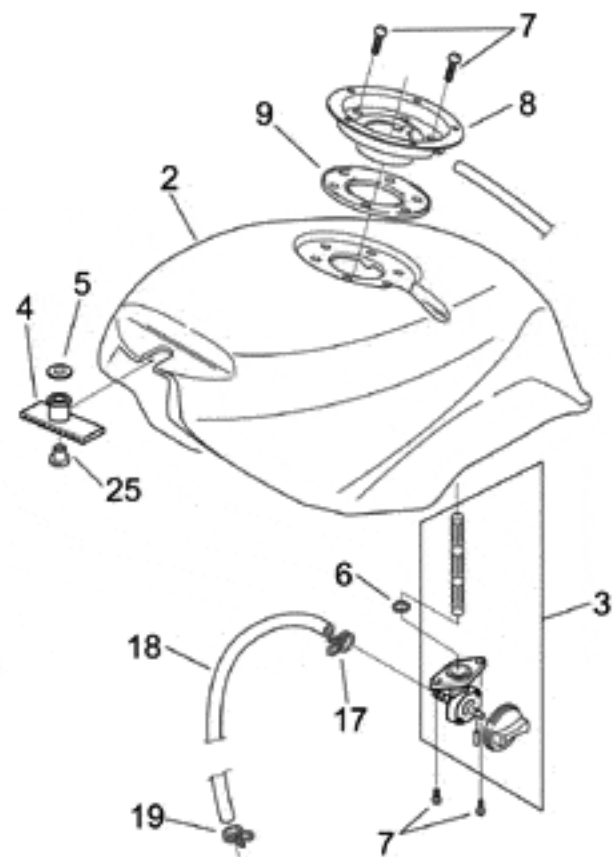


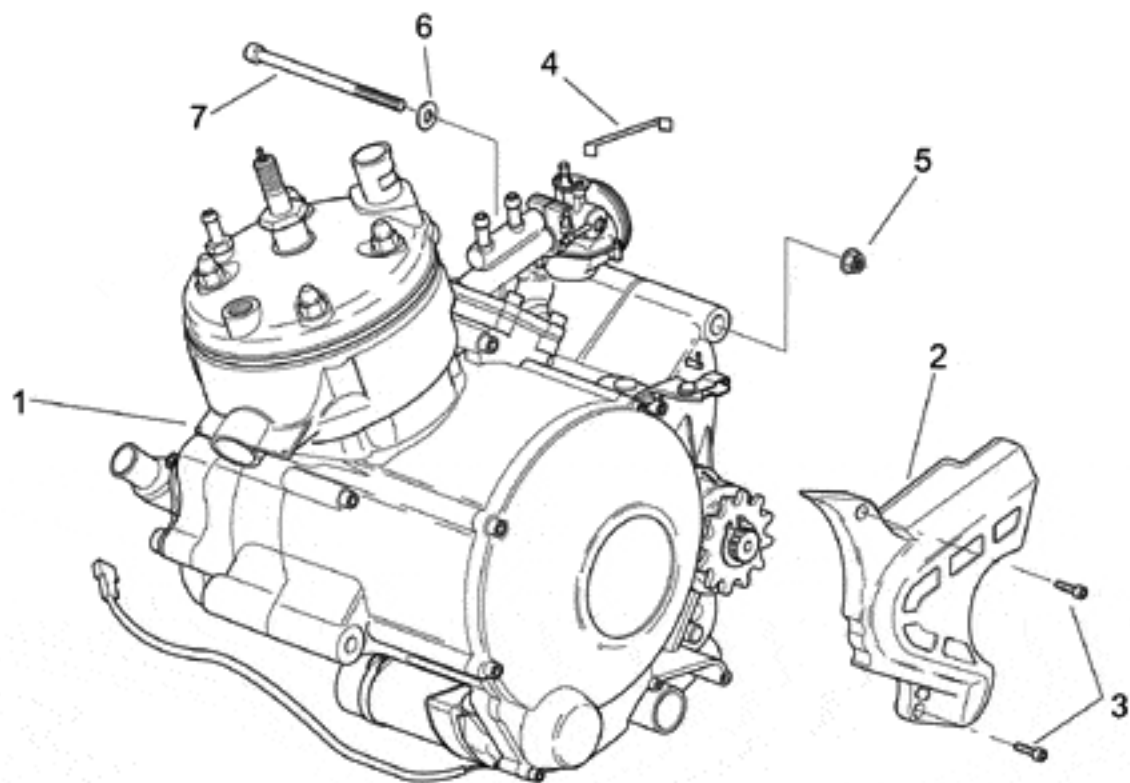












INDYNATIONS

